



Oras Inspera

INSTALLATION AND MAINTENANCE GUIDE





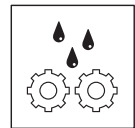
4-8



9-17



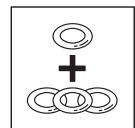
18



19-30



31

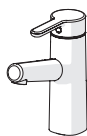
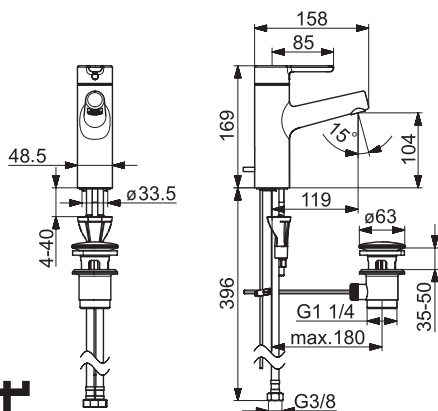


32-35



3000F

I (ISO 3822)
 EN 817
 50 - 1000 kPa
 0.1 l/s (300 kPa w/Controller)
 100 kPa (0.1 l/s)
 max. +80°C



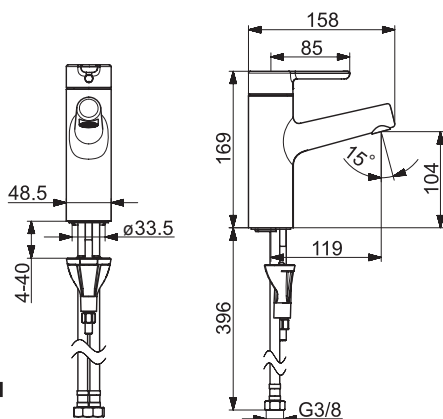
1584 KIWA Sverige 1913



static.oras.com/3000F

3010F

I (ISO 3822)
 EN 817
 50 - 1000 kPa
 0.1 l/s (300 kPa w/Controller)
 100 kPa (0.1 l/s)
 max. +80°C



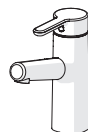
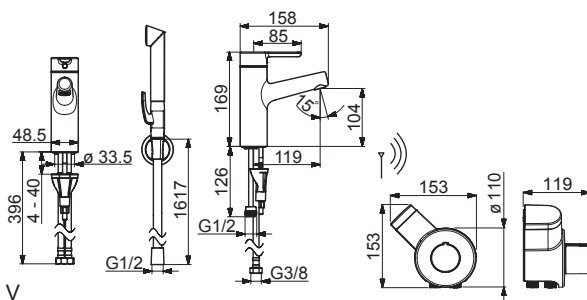
1584 KIWA Sverige 1913



static.oras.com/3010F

3013F

I (ISO 3822)
 EN 817, EN 15091
 50 - 1000 kPa
 0.1 l/s (300 kPa w/Controller)
 100 kPa (0.1 l/s)
 max. +70°C



IP 55
 AA 1.5 V Lithium x 2, CR 2450 3 V

(EMC 2014/30/EU)

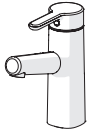
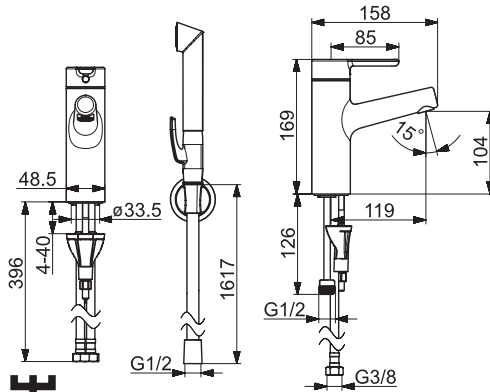
1584 KIWA Sverige 1913



static.oras.com/3013F

3012F

I (ISO 3822)
 EN 817
 50 - 1000 kPa
 0.1 l/s (300 kPa w/Controller)
 100 kPa (0.1 l/s)
 max. +80°C



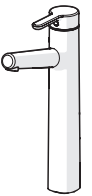
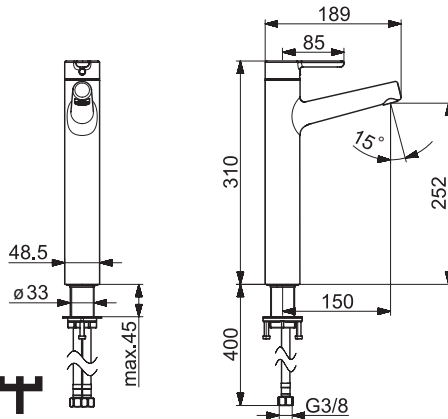
1584 KIWA Sverige 1913



static.oras.com/3012F

3001F

I (ISO 3822)
 EN 817
 50 - 1000 kPa
 0.1 l/s (300 kPa w/Controller)
 100 kPa (0.1 l/s)
 max. +80°C



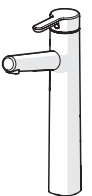
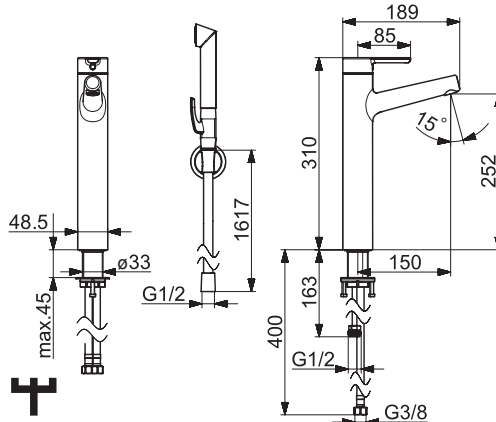
1584 KIWA Sverige 1913



static.oras.com/3001F

3002F

I (ISO 3822)
 EN 817
 50 - 1000 kPa
 0.1 l/s (300 kPa w/Controller)
 100 kPa (0.1 l/s)
 max. +80°C



1584 KIWA Sverige 1913



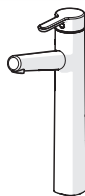
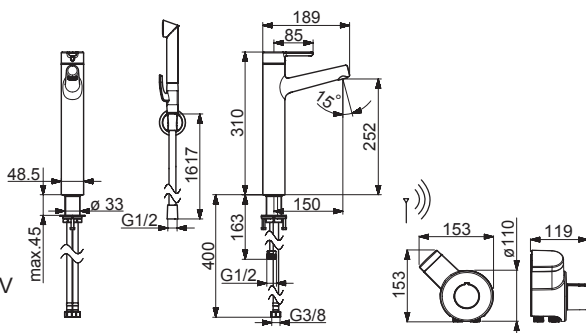
static.oras.com/3002F



3003F

I (ISO 3822)
 EN 817 , EN 15091
 50 - 1000 kPa
 0.1 l/s (300 kPa w/Controller)
 100 kPa (0.1 l/s)
 max. +70°C

IP 55
 AA 1.5 V Lithium x 2, CR 2450 3 V



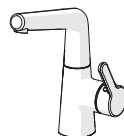
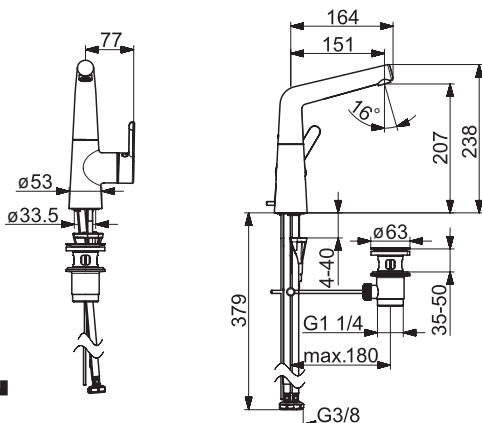
CE (EMC 2014/30/EU)

1584 KIWA Sverige 1913

static.oras.com/3003F

3004F

I (ISO 3822)
 EN 817
 50 - 1000 kPa
 0.1 l/s (300 kPa w/Controller)
 100 kPa (0.1 l/s)
 max. +80°C

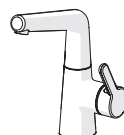
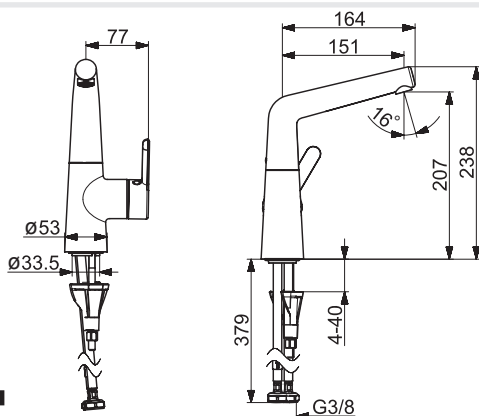


1584 KIWA Sverige 1913

static.oras.com/3004F

3006F , 3006F-34

I (ISO 3822)
 EN 817
 50 - 1000 kPa
 0.1 l/s (300 kPa w/Controller)
 100 kPa (0.1 l/s)
 max. +80°C



1584 KIWA Sverige 1913

static.oras.com/3006F

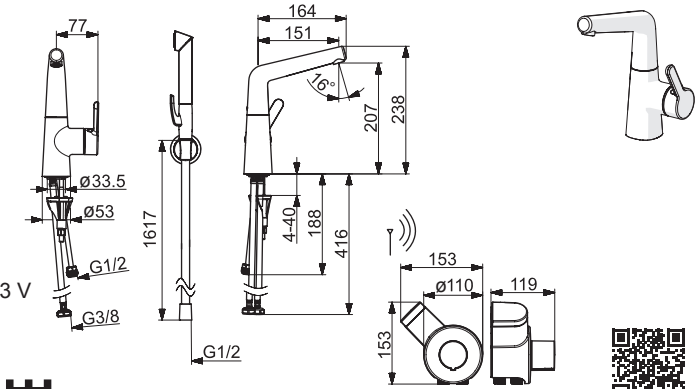
3005F

I (ISO 3822)
 EN 817, EN 15091
 100 - 1000 kPa
 0.1 l/s (300 kPa w/Controller)
 100 kPa (0.1 l/s)
 max. +70°C

IP 55
 AA 1.5 V Lithium x 2, CR 2450 3 V

(EMC 2014/30/EU)

1584 KIWA Sverige 1913

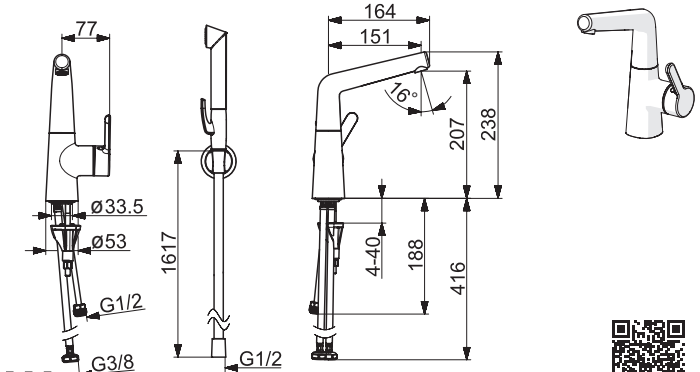


static.oras.com/3005F

3008F

I (ISO 3822)
 EN 817
 50 - 1000 kPa
 0.1 l/s (300 kPa w/Controller)
 100 kPa (0.1 l/s)
 max. +80°C

1584 KIWA Sverige 1913



static.oras.com/3008F

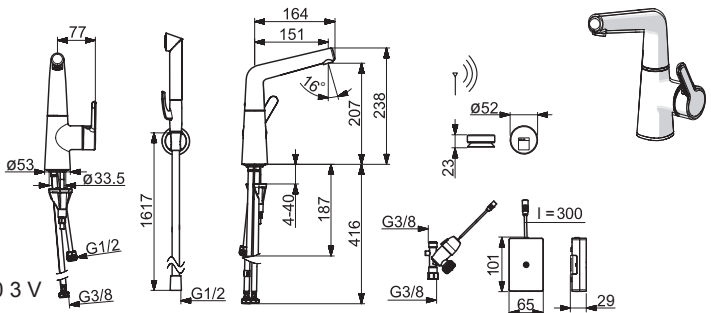
3009F

I (ISO 3822)
 EN 817, EN 15091
 100 - 1000 kPa
 0.1 l/s (300 kPa w/Controller)
 100 kPa (0.1 l/s)
 max. +70°C

IP 54
 AA 1.5 V Lithium x 2, CR 2450 3 V

(EMC 2014/30/EU)

1584 KIWA Sverige 1913

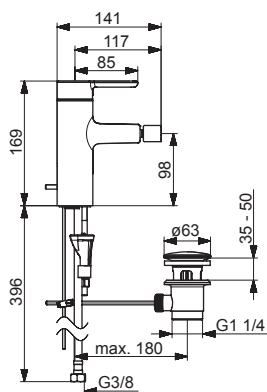
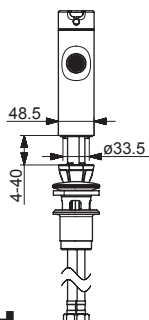


static.oras.com/3009F



3018F

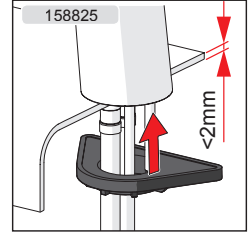
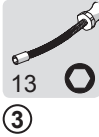
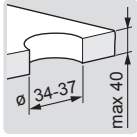
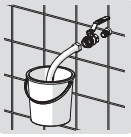
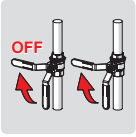
I (ISO 3822)
EN 817
50 - 1000 kPa
0.1 l/s (300 kPa w/Controller)
100 kPa (0.1 l/s)
max. +80°C



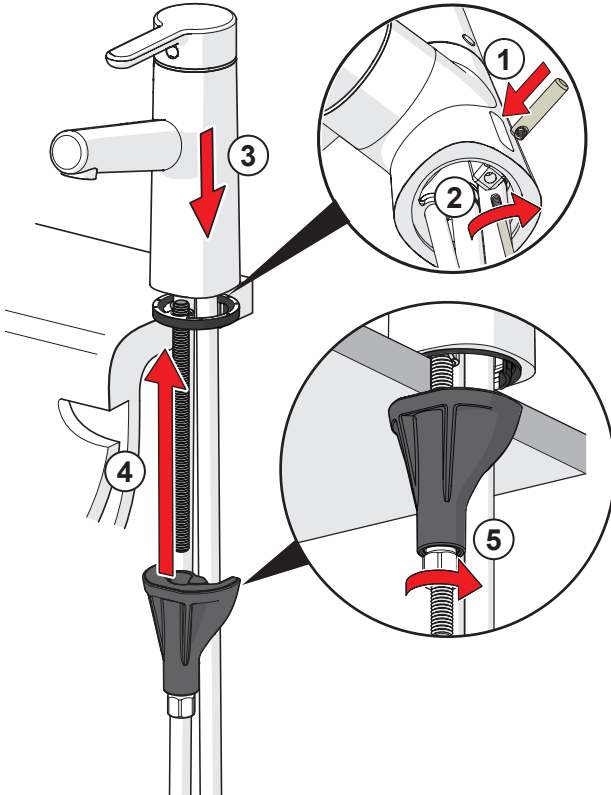
1584 KIWA Sverige 1913

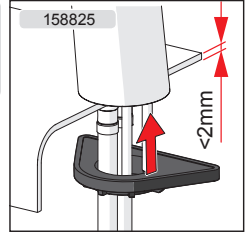
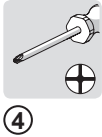
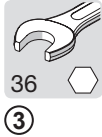
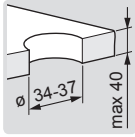
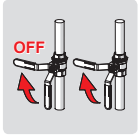


static.oras.com/3018F

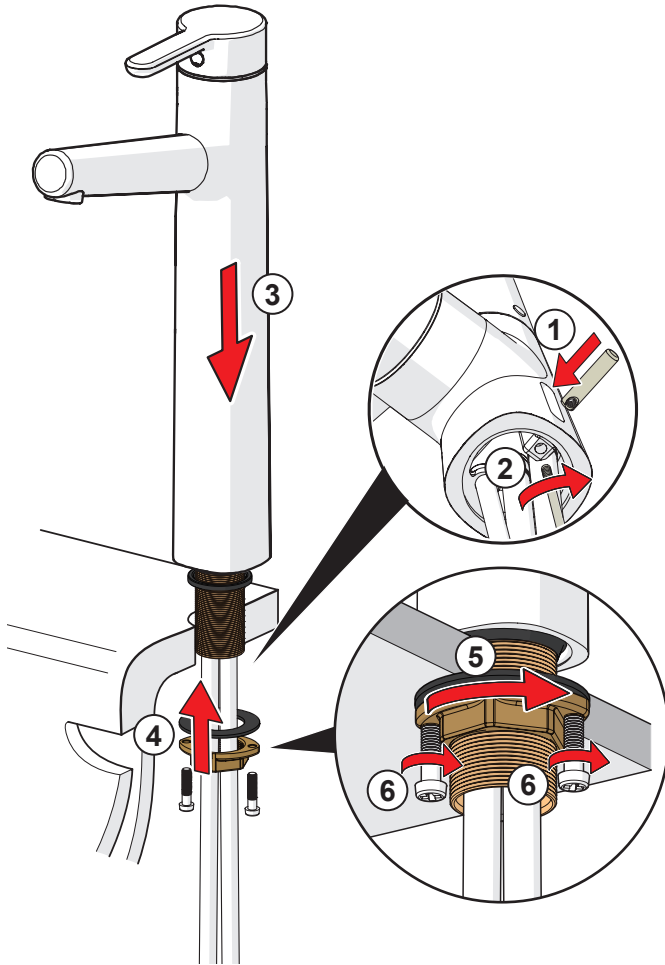


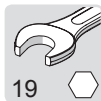
1





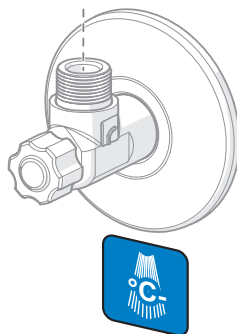
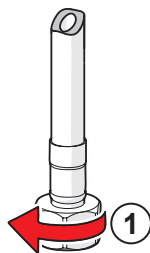
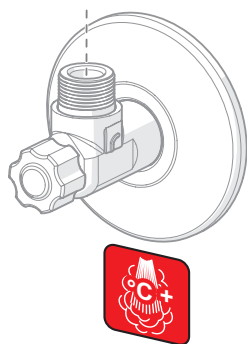
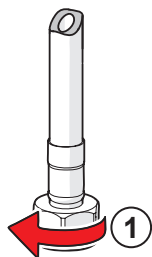
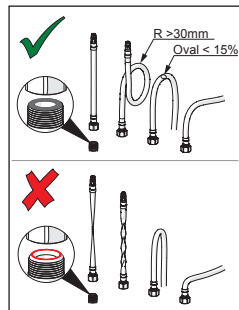
1

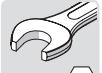




①

②

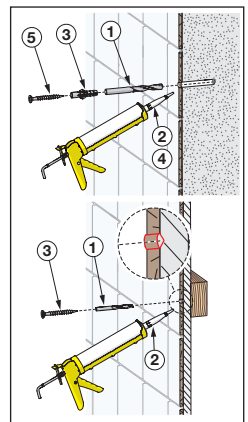
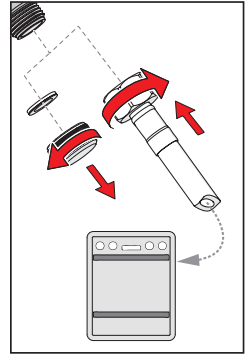
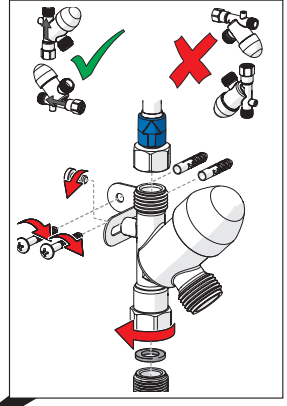
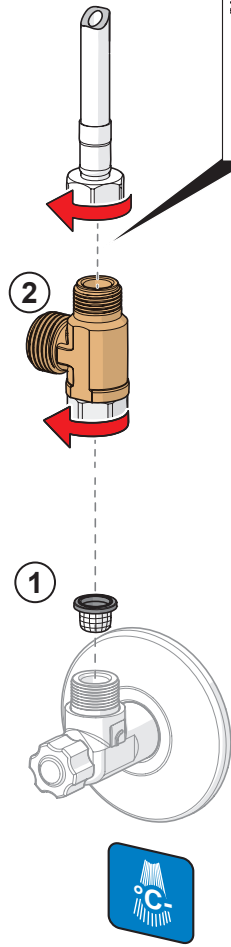
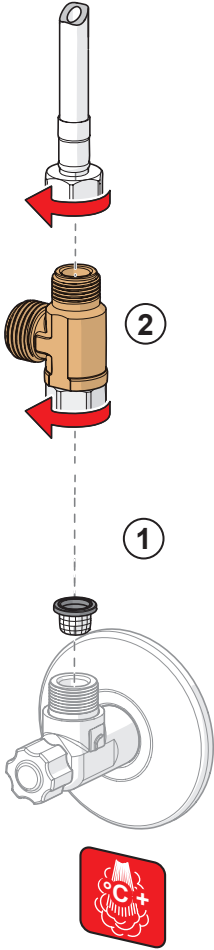




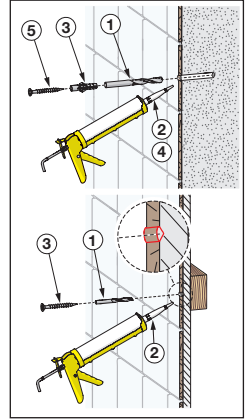
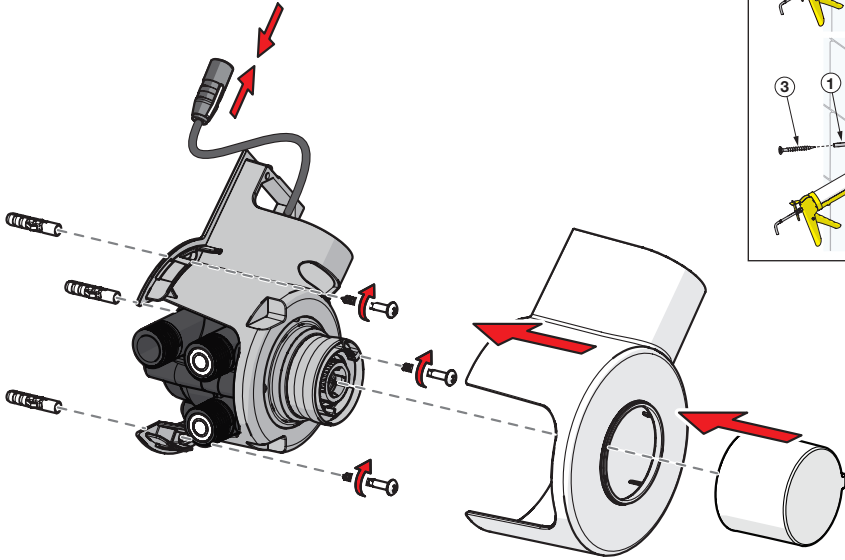
19

①...②

- ② 3003F
- 3013F
- 3005F
- 3009F



3 3003F
3013F
3005F





①



②

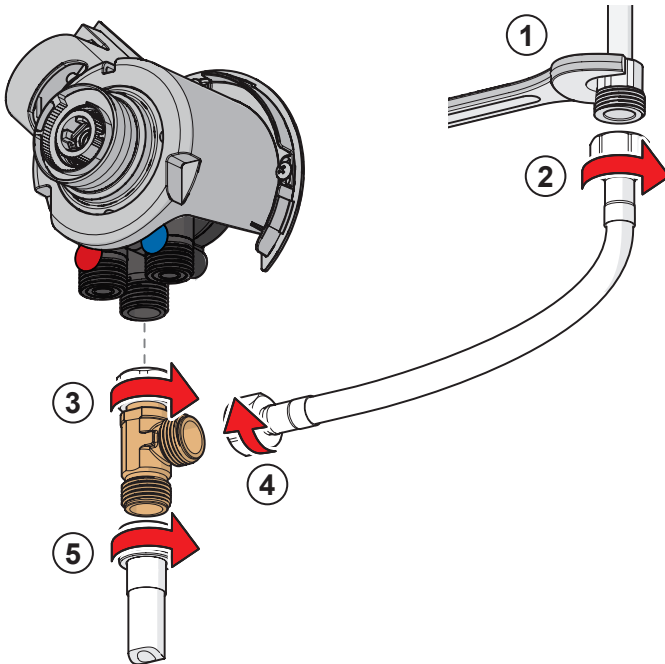


③ ④



③ ⑤

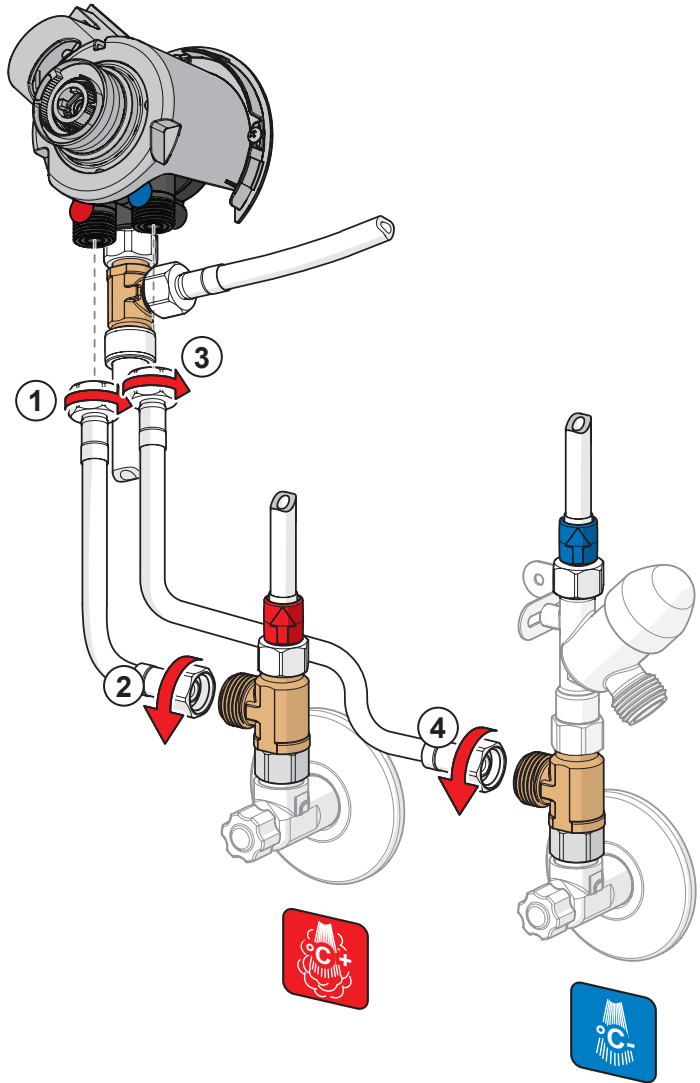
4 3003F
3013F
3005F





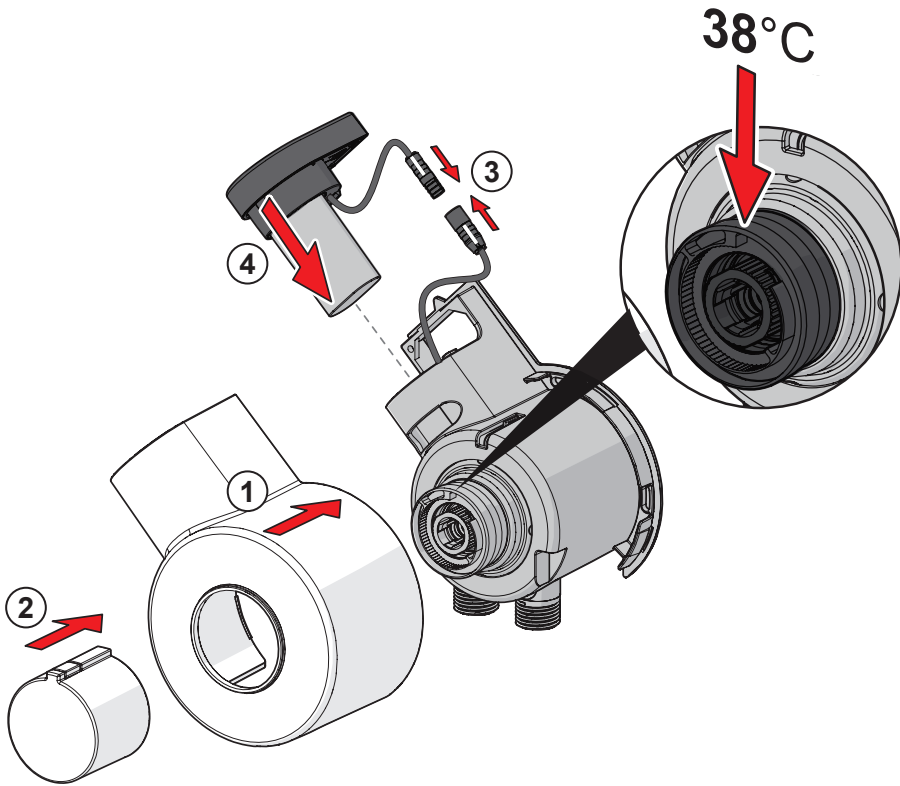
① ... ④ ① ③

5 3003F
3013F
3005F



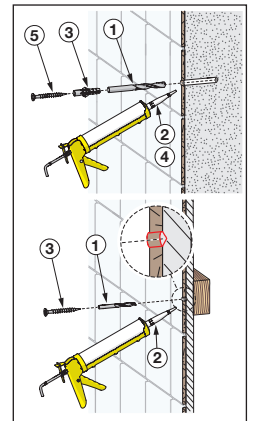
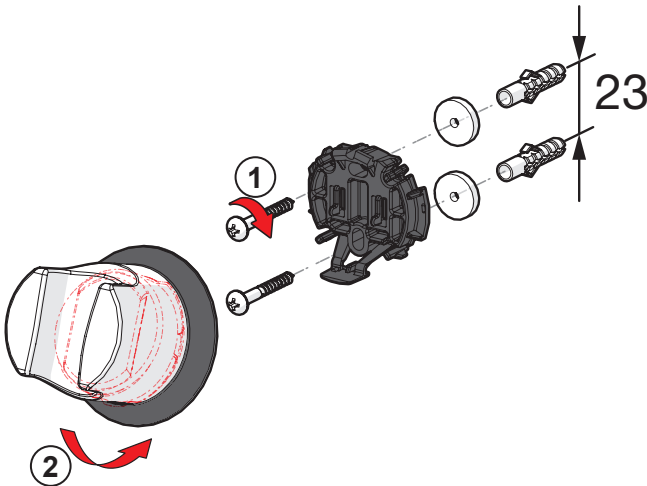
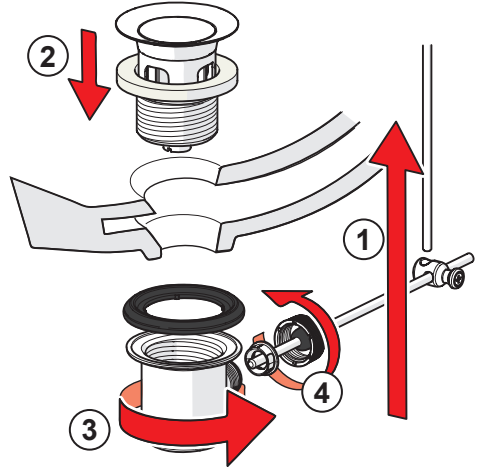
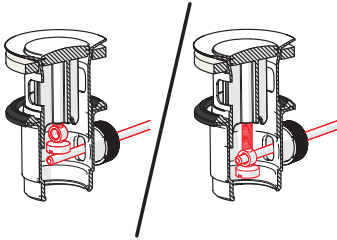
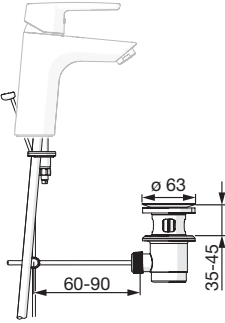


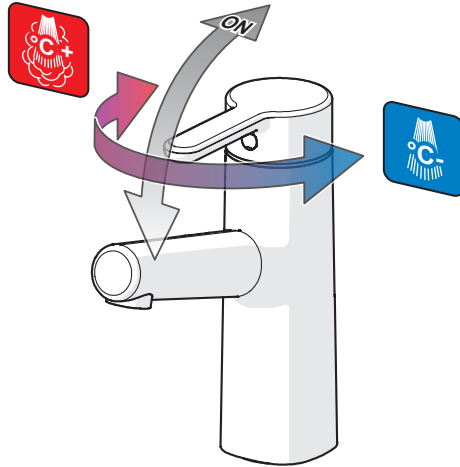
6 3003F
3013F
3005F



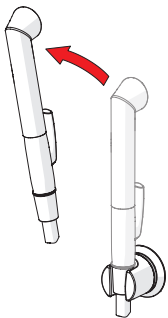


① ② ③

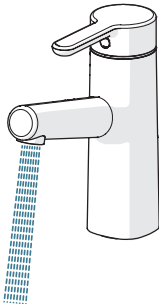




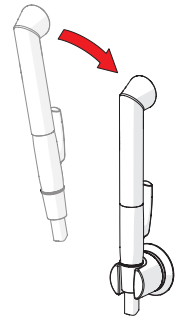
3003F, 3013F, 3005F



ON

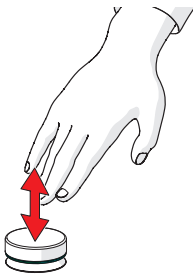


max. 2 min

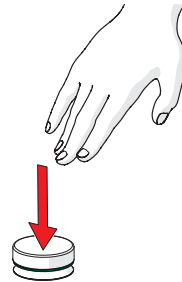


OFF

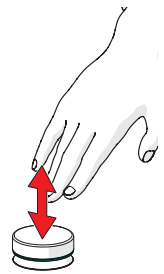
3009F



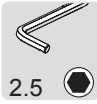
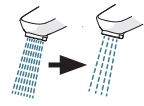
ON 3h



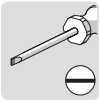
ON 12h



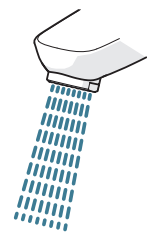
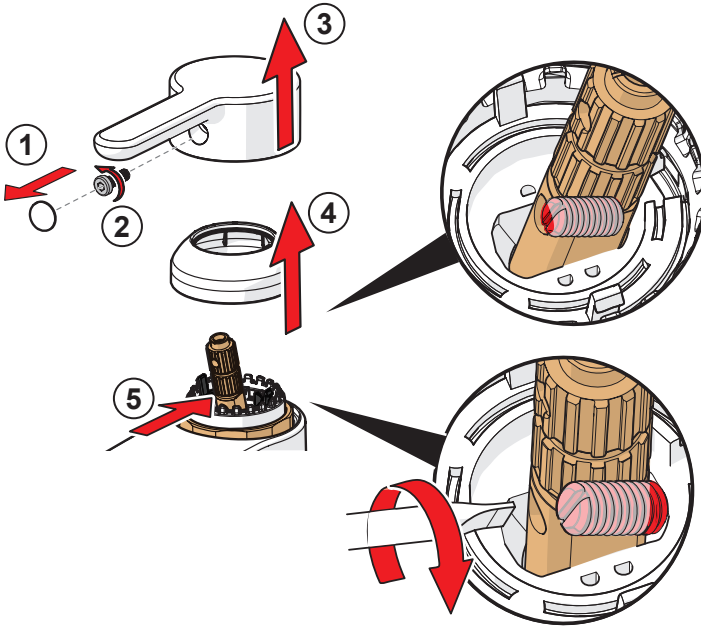
OFF

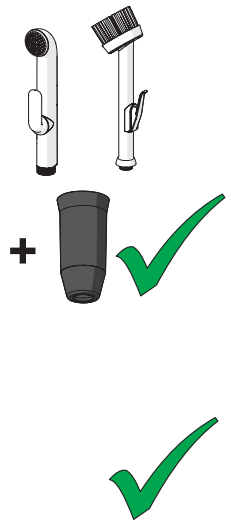
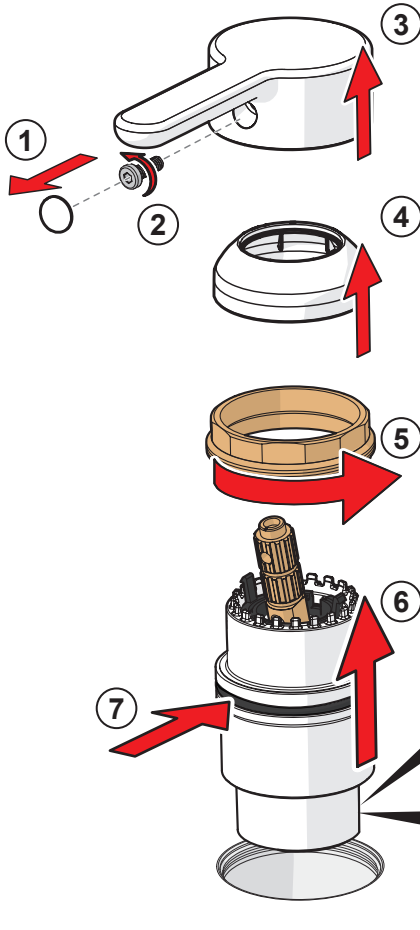
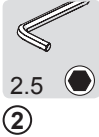
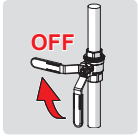


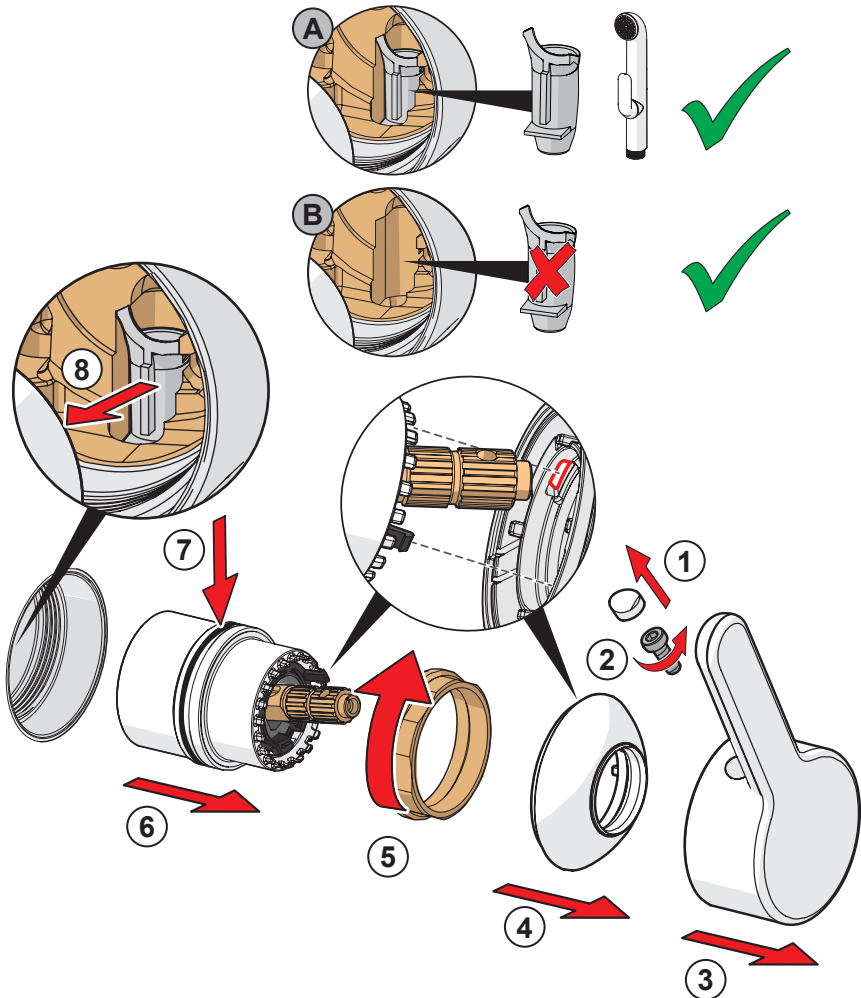
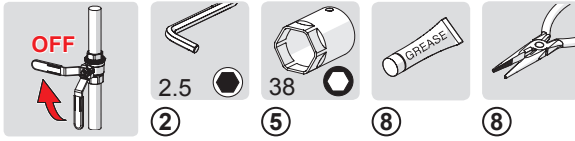
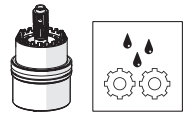
②

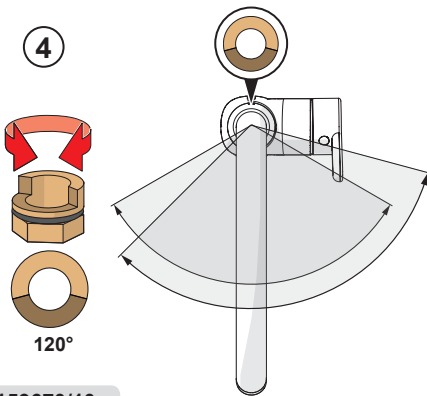
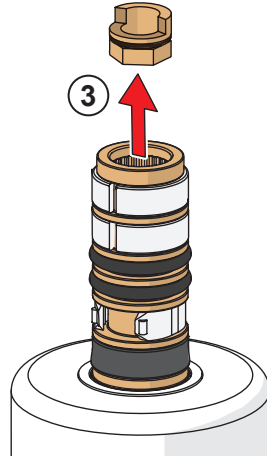
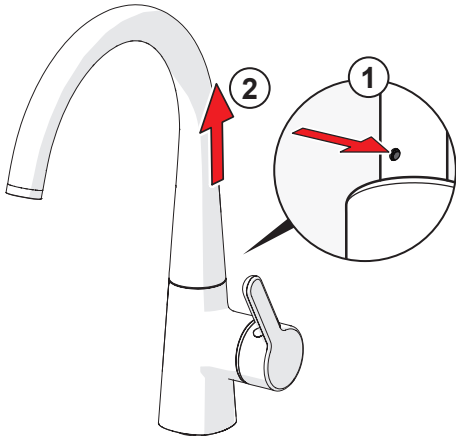
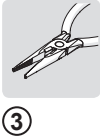
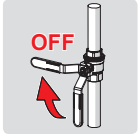


⑤

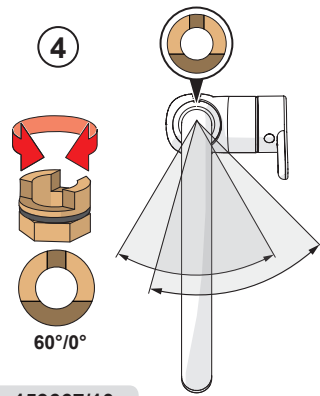




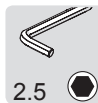




159670/10



159667/10

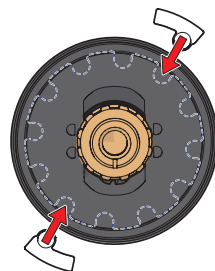
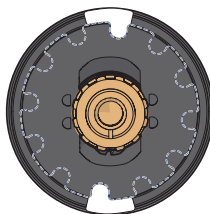
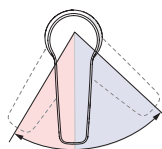
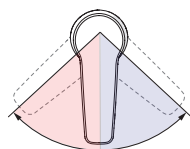
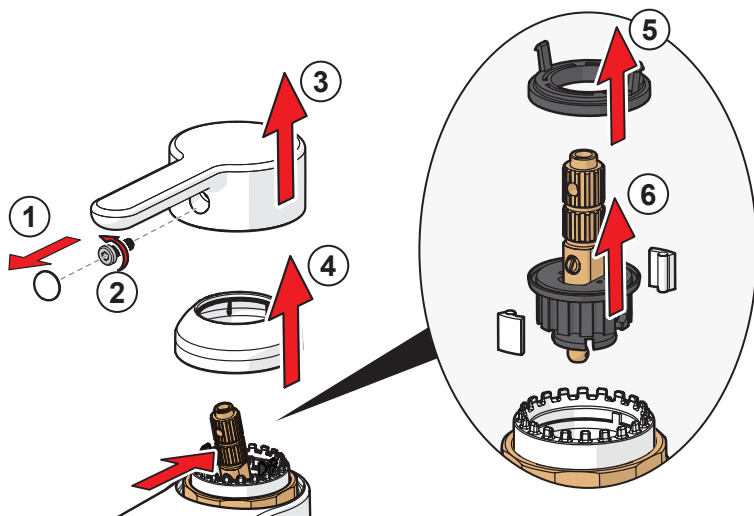


2.5

②

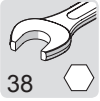


⑤ ⑥





① ③



②

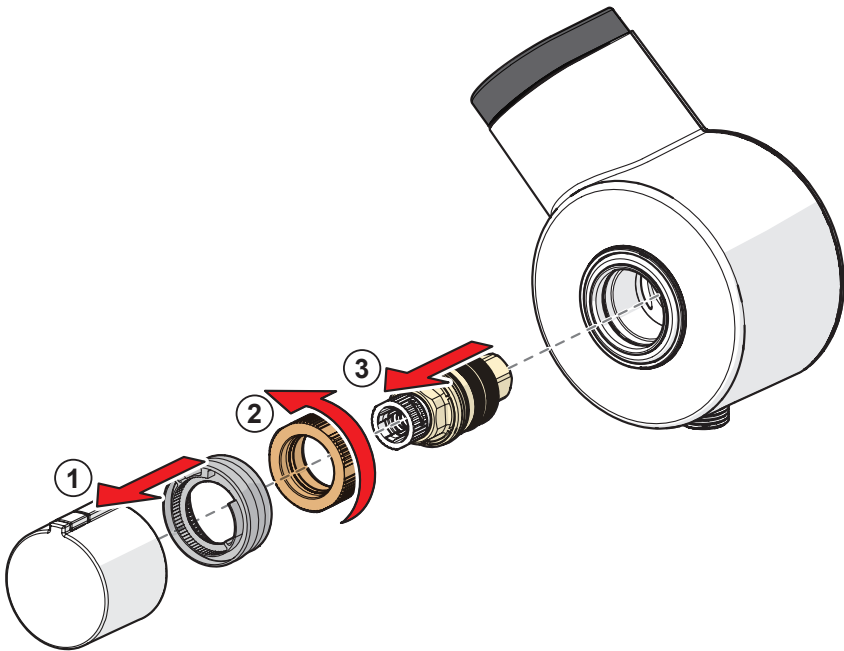


③



③

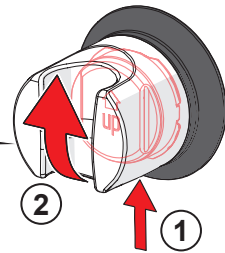
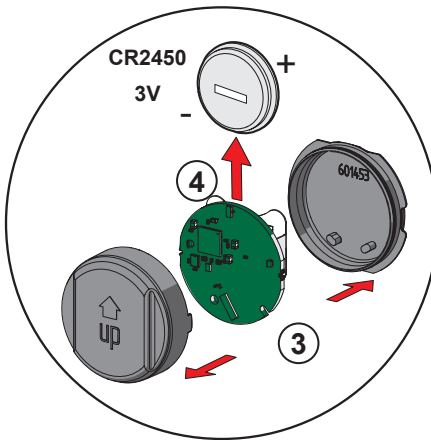
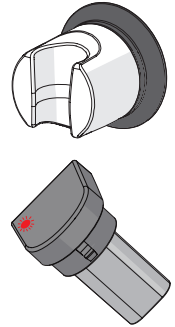
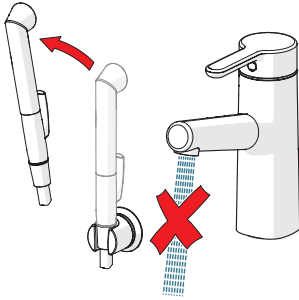
3003F
3013F
3005F



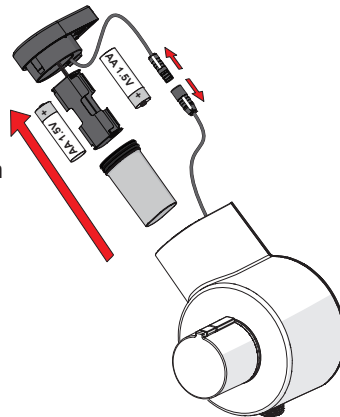


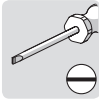
④

3003F
3013F
3005F



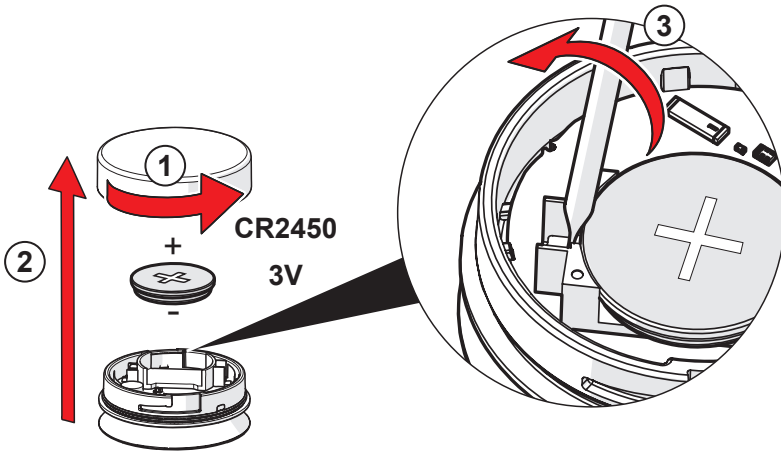
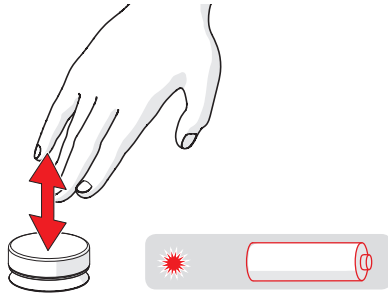
AA 1.5V x 2 Lithium





① ②

③

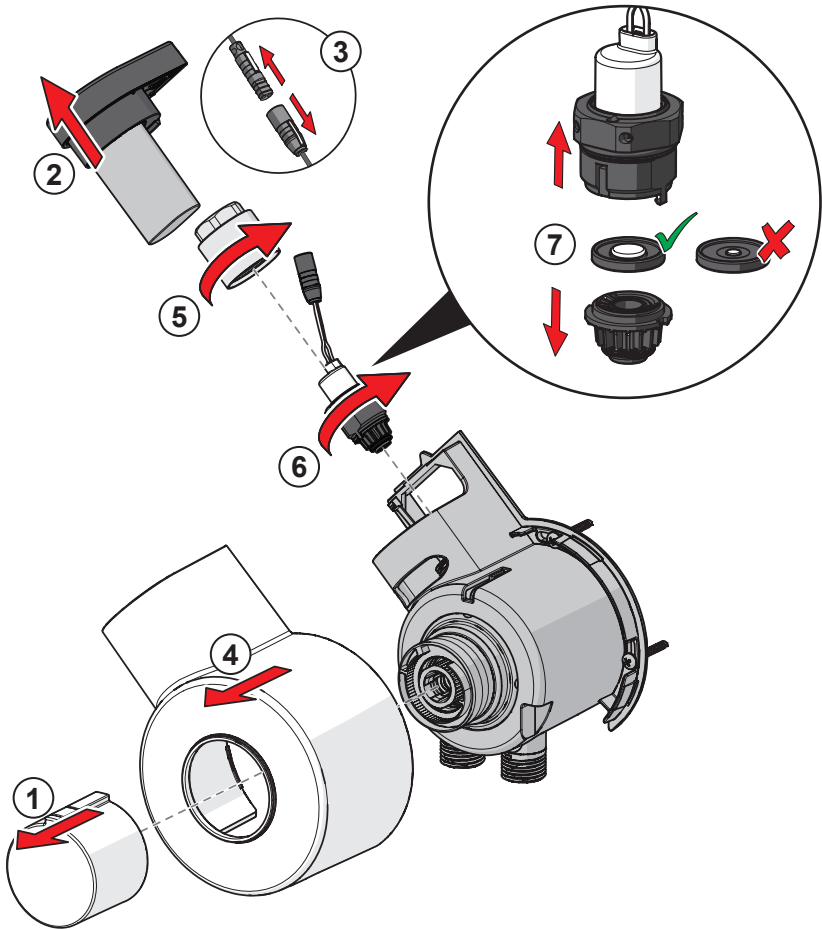


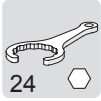


① ② ④

⑤ ⑥

⑦

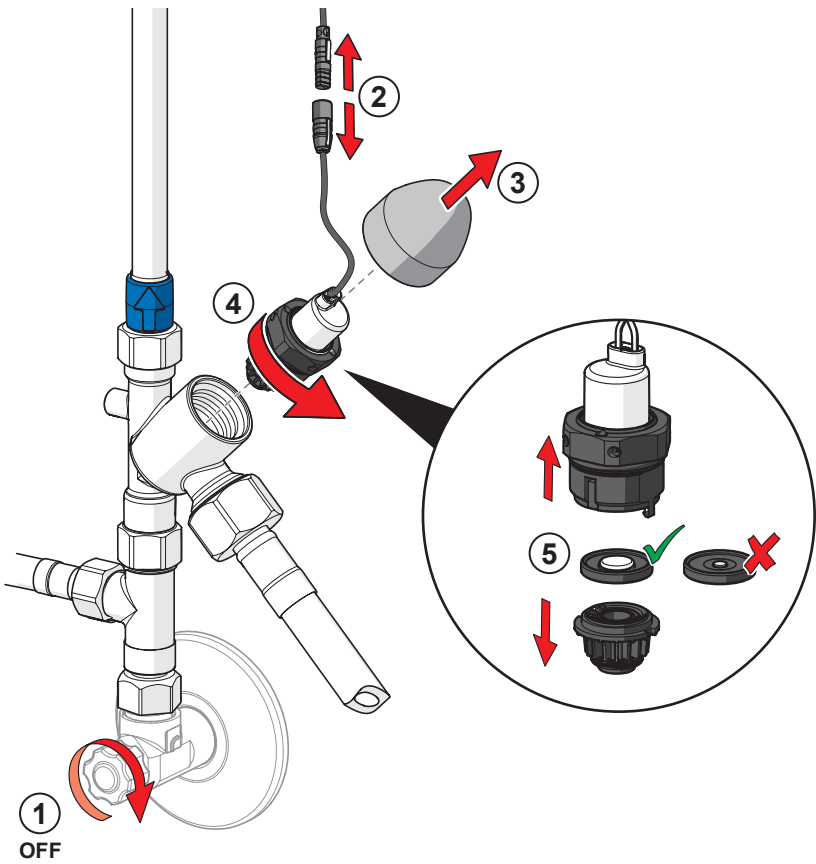


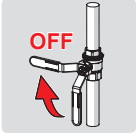


③

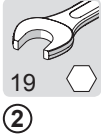
④

⑤





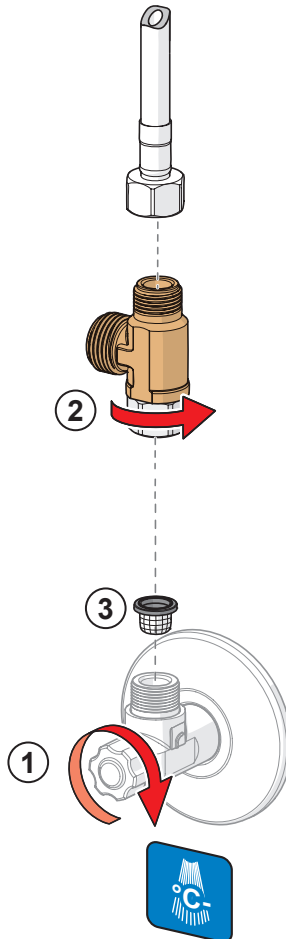
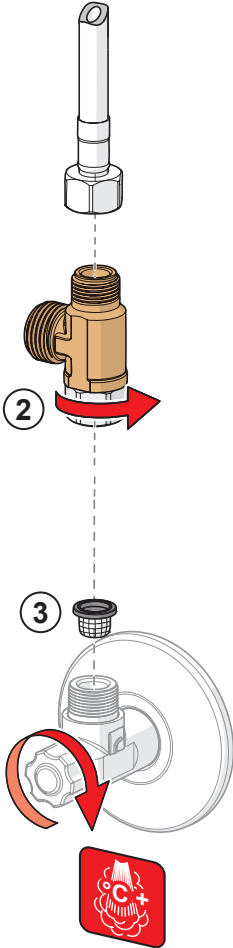
①



②

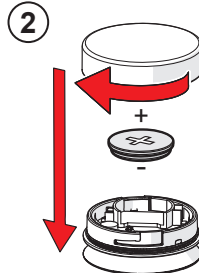
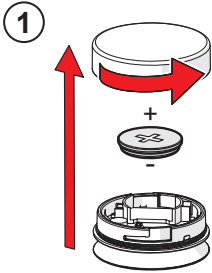


③

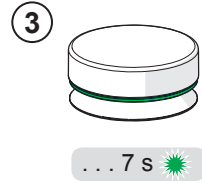




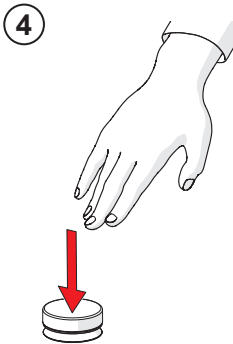
① ②



30 s

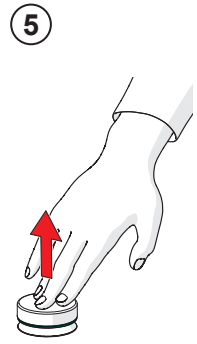


... 7 s

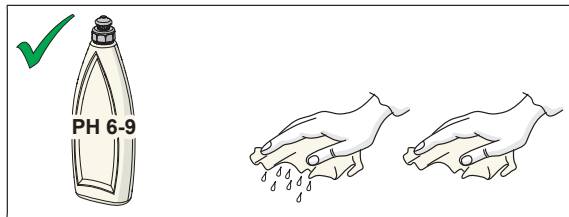
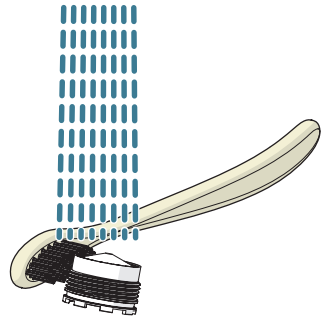
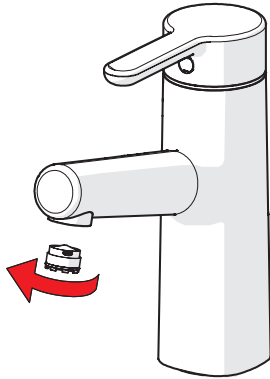
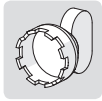


4x - 15x

1 x = 1/2 h



OK (2 - 7.5 h)
 < 2 h
 > 7.5 h

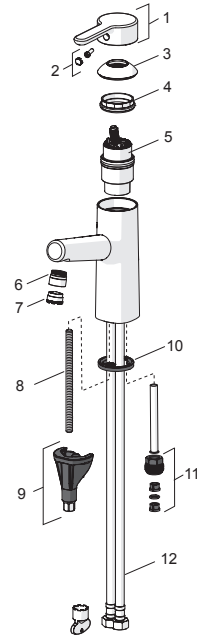




3000F , 3010F , 3013F , 3012F

- 1 1003074V
- 2 1002323V
- 3 1001740V
- 4 158726
- 5 158890
- 6 1001722V
- 7 602671V
- 8 1000780V
- 9 602610V
- 10 601971V
- 11 159684
- 12 1001515V

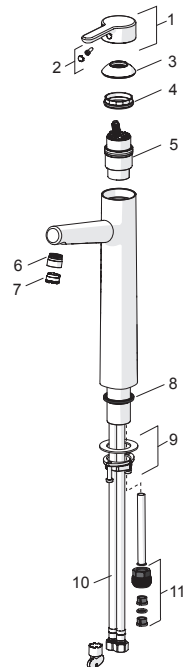
3012F, 3013F



3001F , 3002F , 3003F

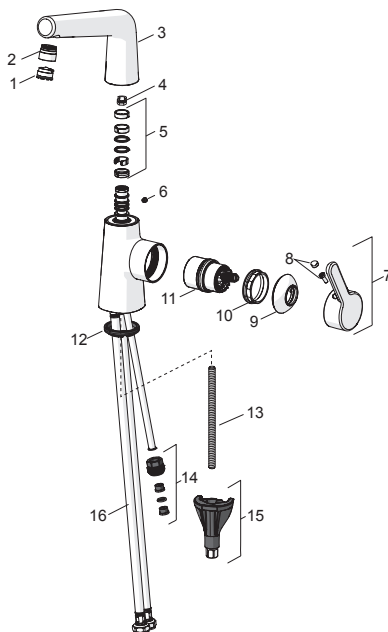
- 1 1003074V
- 2 1002323V
- 3 1001740V
- 4 158726
- 5 158890
- 6 1001722V
- 7 602671V
- 8 602684V
- 9 602629V
- 10 602206/2
- 11 159684

3002F, 3003F



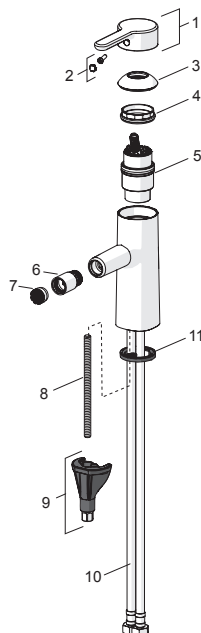
3004F , 3005F , 3006F , 3006F-34 , 3008F , 3009F

- 1 602671V
- 2 1001722V
- 2 1005427V-34
- 3 1002464V
- 3 1005433V-34
- 4 159670/10 120°
- 4 159667V 60°/0°
- 5 159499
- 6 1005428V-34
- 6 602685V
- 7 1003084V
- 7 1005431V-34
- 8 1002323V
- 9 1001740V
- 9 1005432V-34
- 10 158726
- 11 1003691V
- 12 1002371V
- 13 1000780V
- 14 159684 3005F, 3008F, 3009F
- 15 602610V
- 16 1004656V



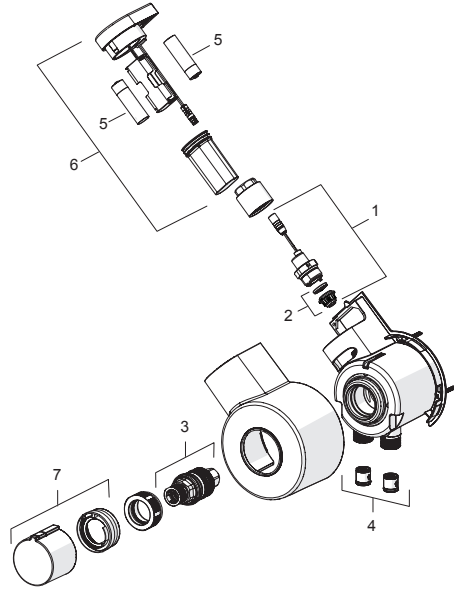
3018F

- 1 1003074V
- 2 1002323V
- 3 1001740V
- 4 158726
- 5 158890
- 6 602686V
- 7 602671V
- 8 1000780V
- 9 602610V
- 10 1001515V
- 11 601971V

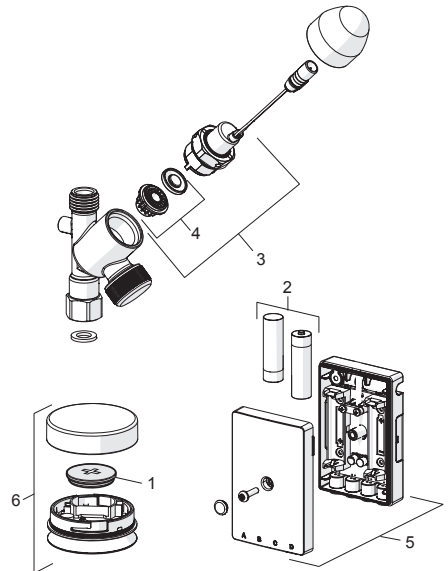
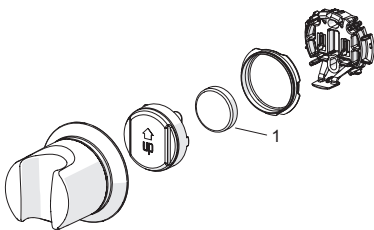




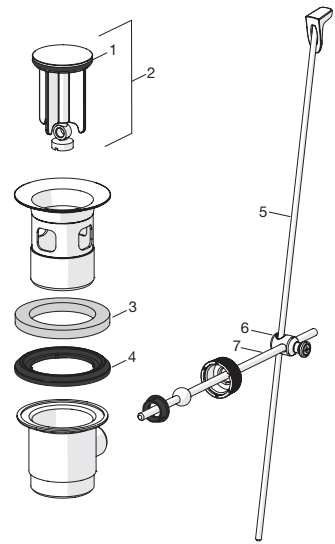
- 1 601307V
- 2 601512V
- 3 178780V
- 4 105311
- 5 600599V
- 6 601590V
- 7 159048V



- 1 601468V
- 2 600599V
- 3 601884V-F
- 4 601512V
- 5 601825V



- 1 559522/10
- 2 559506
- 3 559603/10
- 4 559536
- 5 602634V
- 6 559523
- 7 559591



Oras Group is a powerful European provider of sanitary fittings: the market leader in the Nordics and a leading company in Continental Europe. The company's mission is to make the use of water easy and sustainable and its vision is to become the European leader of advanced sanitary fittings. Oras Group has two strong brands, Oras and Hansa.

The head office of the Group is located in Rauma, Finland, and the Group has three manufacturing sites: Kralovice (Czech Republic), Olesno (Poland) and Rauma (Finland). Oras Group employs approximately 1400 people in twenty countries. Oras Group is owned by Oras Invest, a family company and an industrial owner.

ORAS GROUP
Isometsäntie 2, P.O. Box 40
FI-26101 Rauma
Tel. +358 2 83 161
Fax +358 2 831 6300
info.finland@oras.com
www.oras.com

