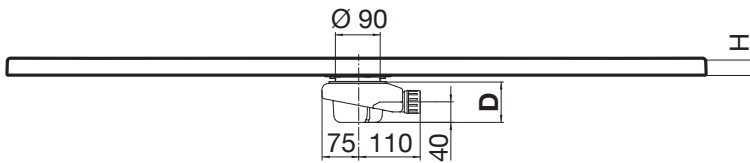
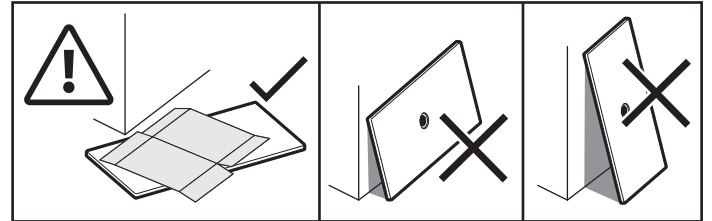



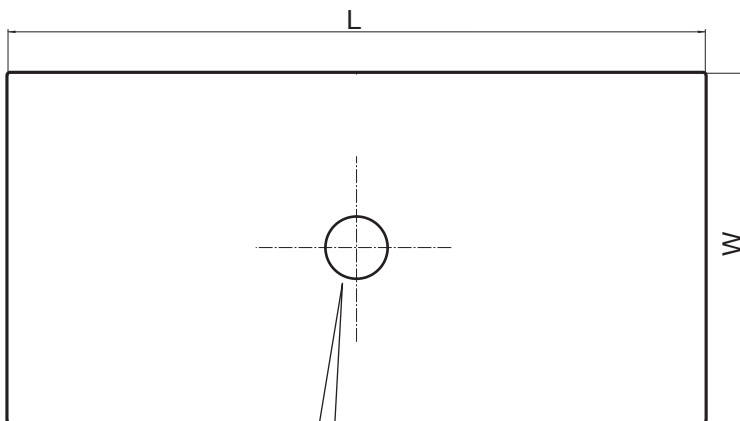



Roca

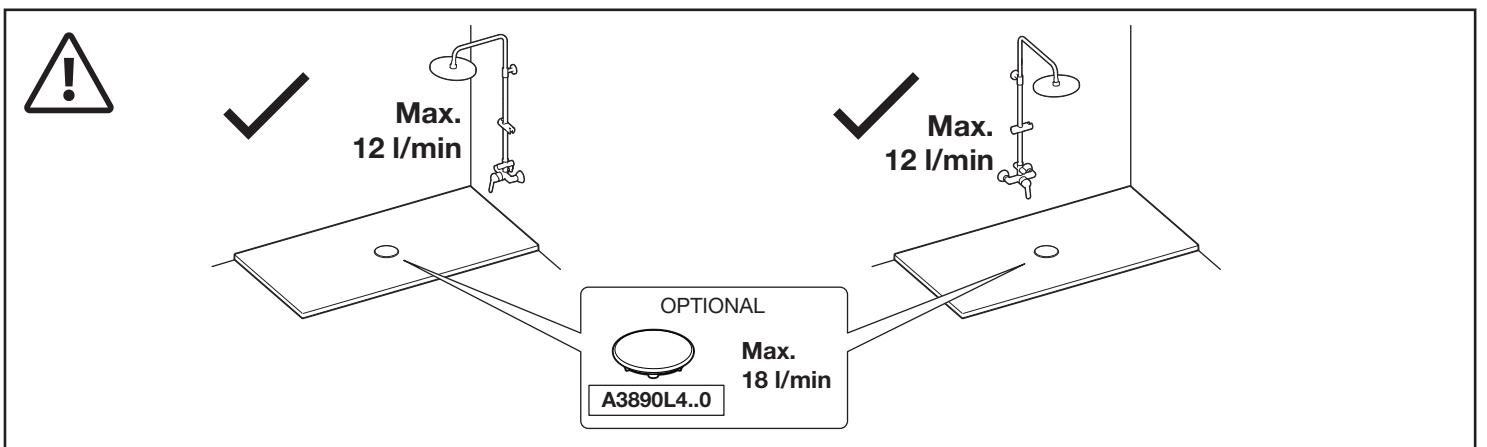
CRATOS

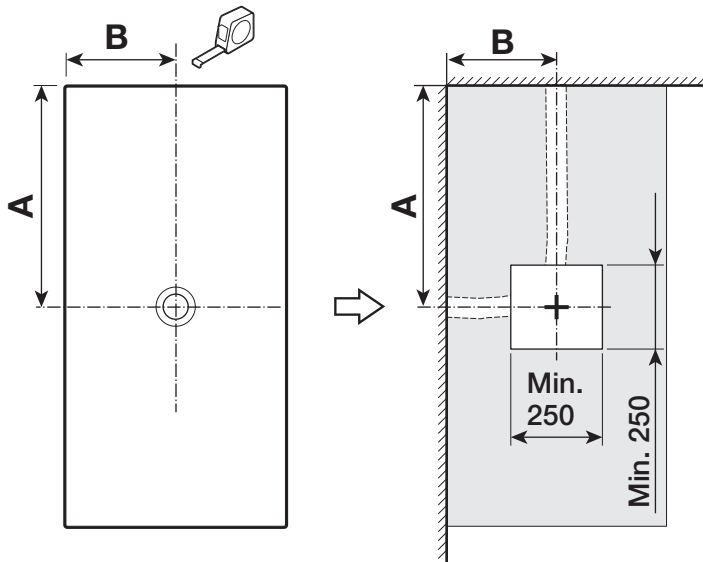


	A27L045000	D 80
---	-------------------	----------------



L	W	H	
1800	800	35	
	700		
1600	800		
	700		
1400	800		
	700		
1200	800		
	700		
1000	800		
	700		

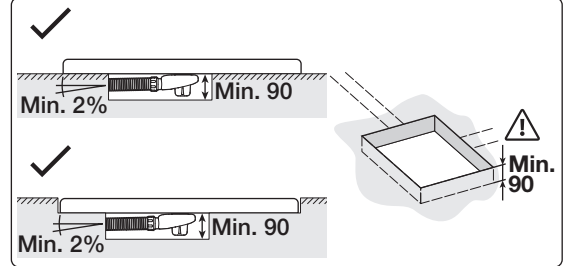
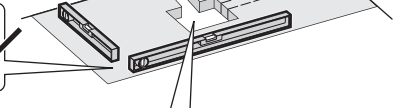
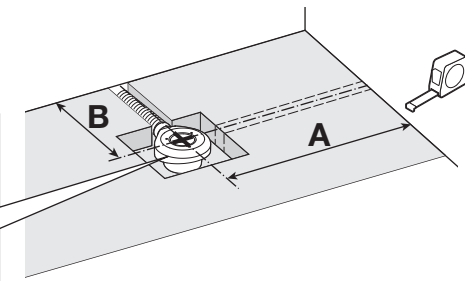


1

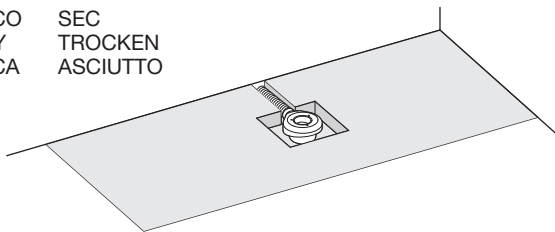
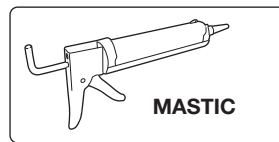
[mm]



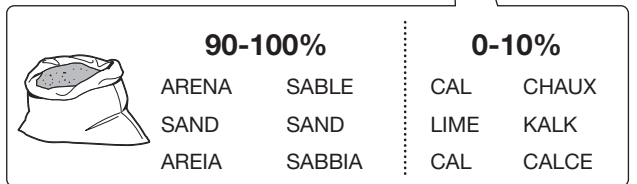
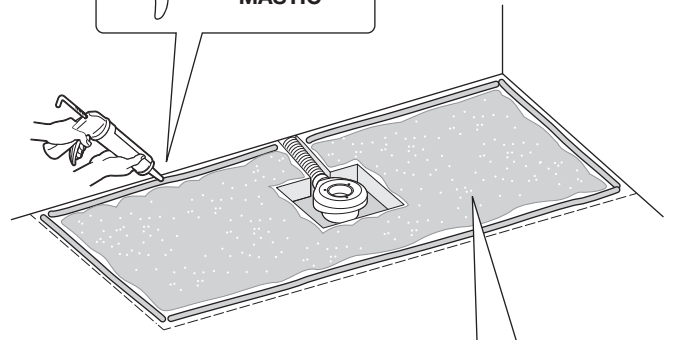
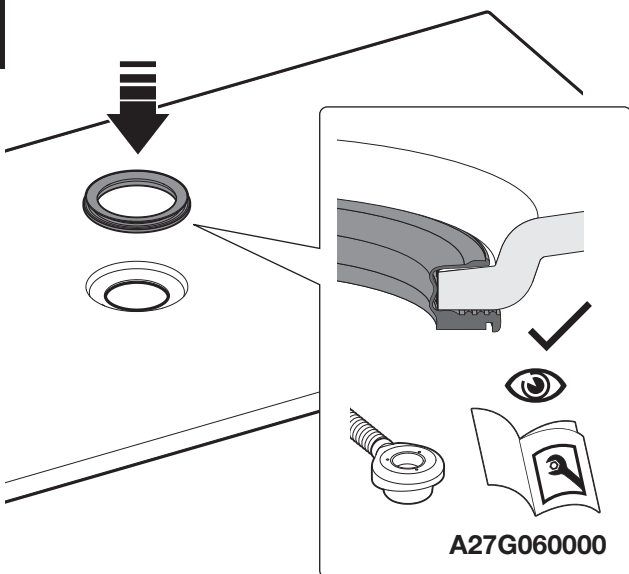
CEMENTO CIMENT
CEMENT ZEMENT
CIMENTO CEMENTIZIA

**2**

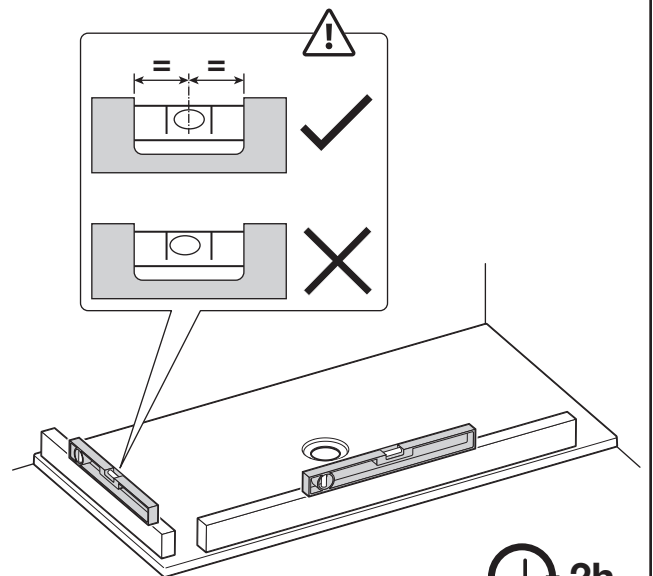
SECO SEC
DRY TROCKEN
SECA ASCIUTTO

**3**

MASTIC

**4**

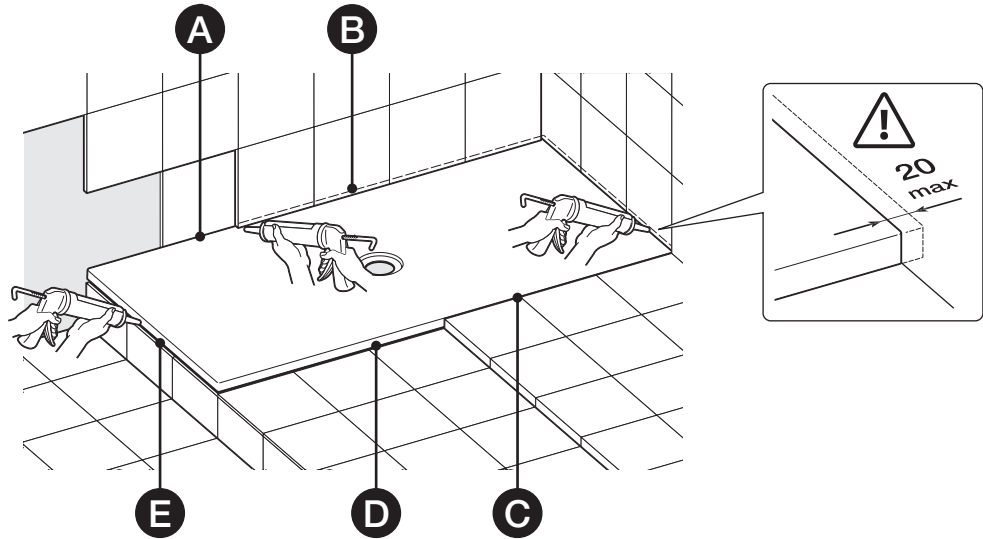
A27G060000

5

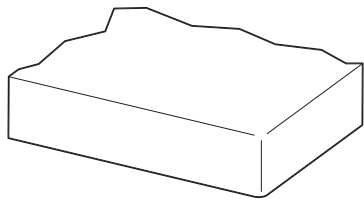
2h

6

* SILICONE
NO ACETIC



STANDARD



CUT

