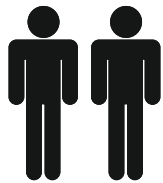
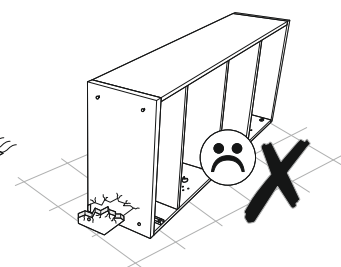
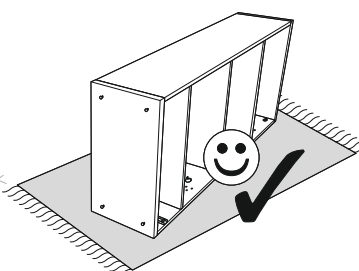
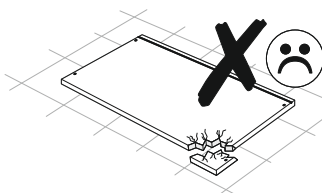
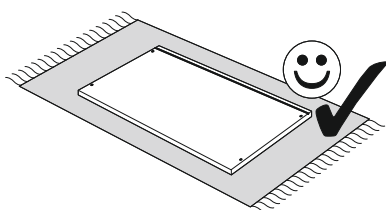
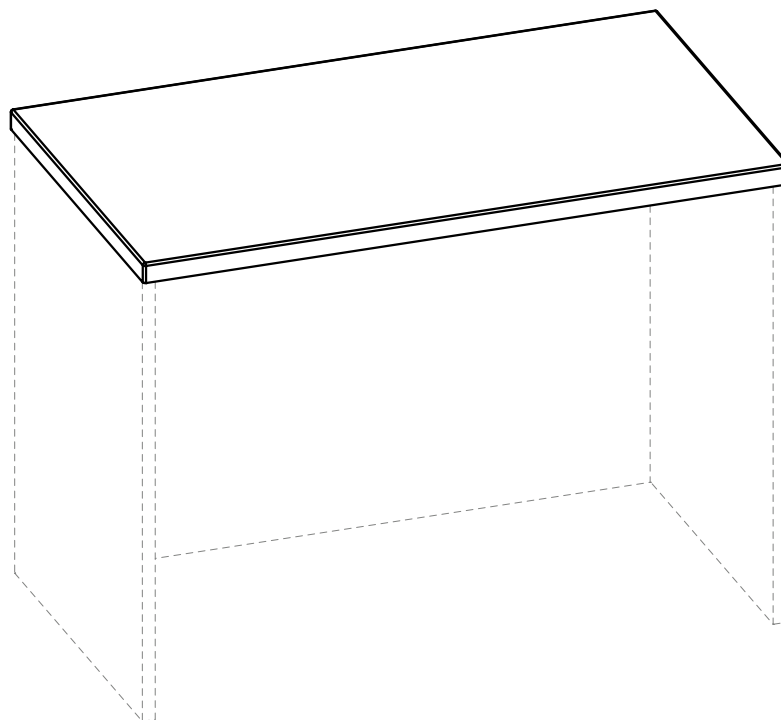
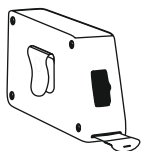
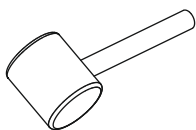
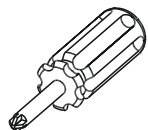
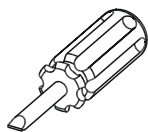
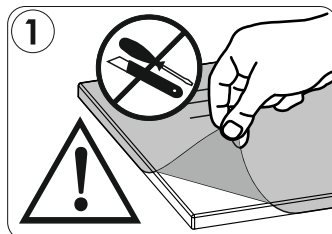


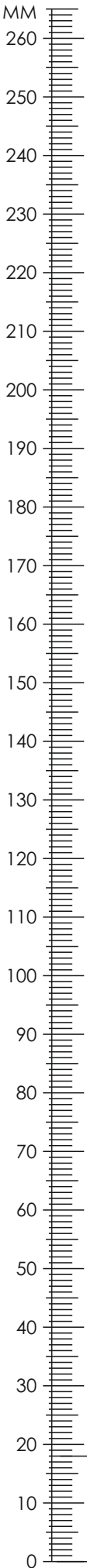
TYP 890 891 892 893



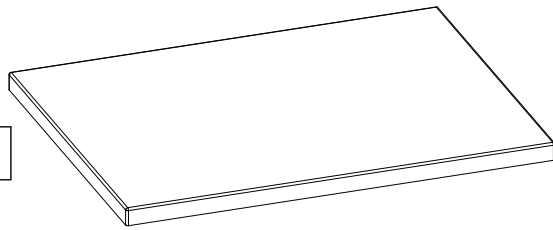
10 min



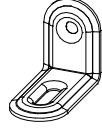
TYP 890 891 892 893



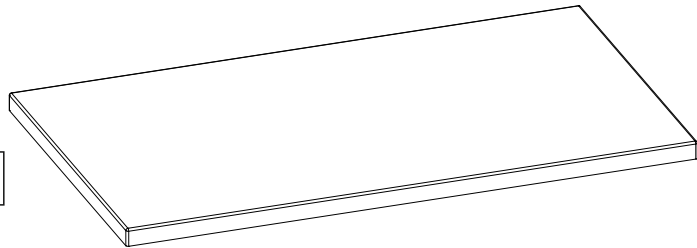
604 | 456 | 25 | x1 | 1/1



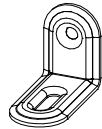
TYP 890

J4	3,5 x 16 mm	x12	Q8		x6
-----------	-------------	-----	-----------	---	----

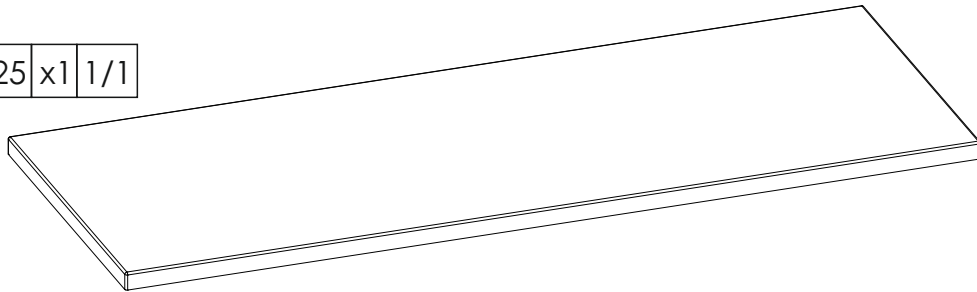
804 | 456 | 25 | x1 | 1/1



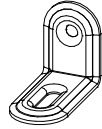
TYP 891

J4	3,5 x 16 mm	x12	Q8		x6
-----------	-------------	-----	-----------	--	----

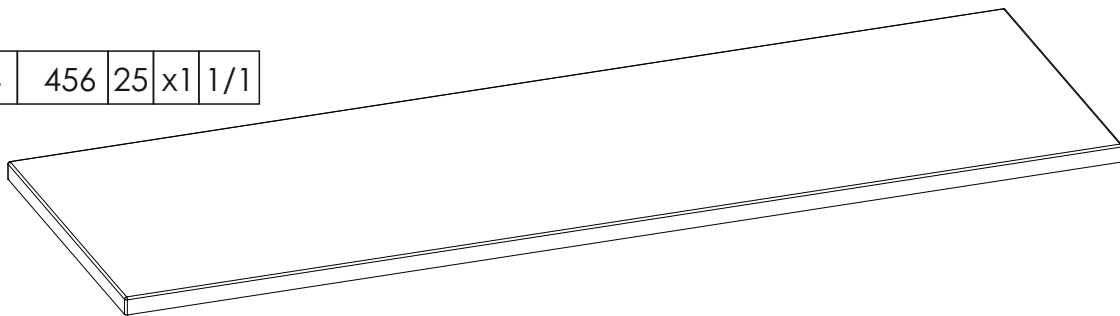
1204 | 456 | 25 | x1 | 1/1



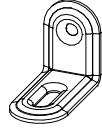
TYP 892

J4	3,5 x 16 mm	x12	Q8		x6
-----------	-------------	-----	-----------	---	----

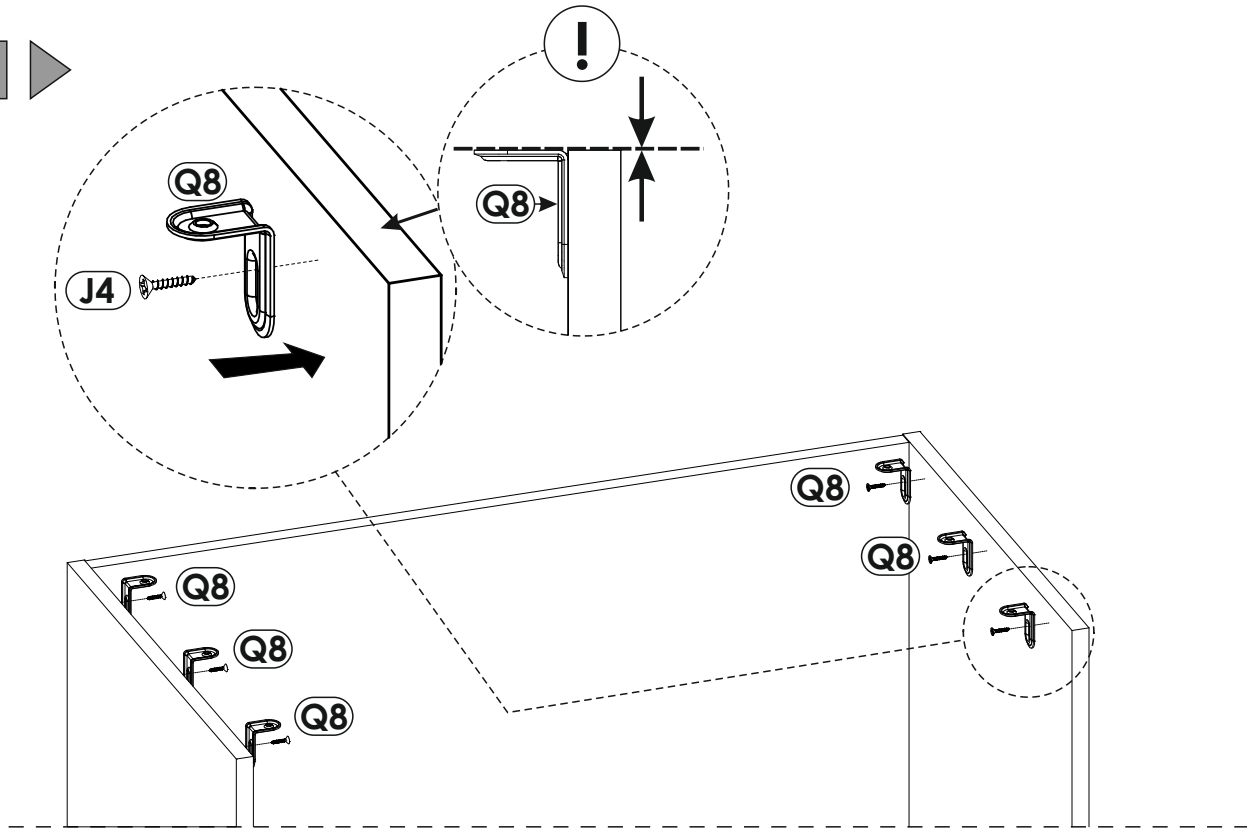
1404 | 456 | 25 | x1 | 1/1



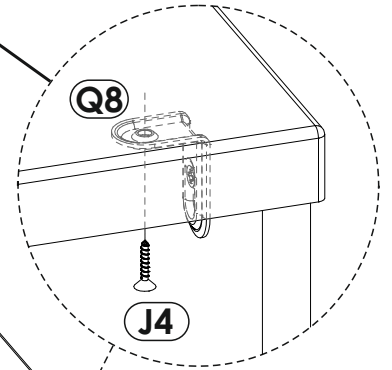
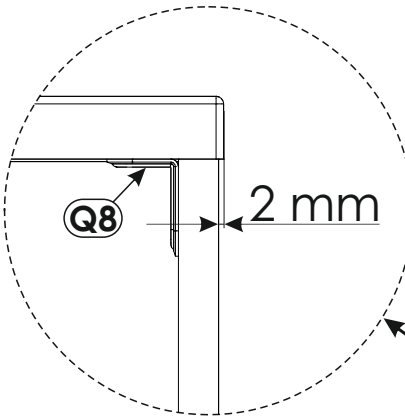
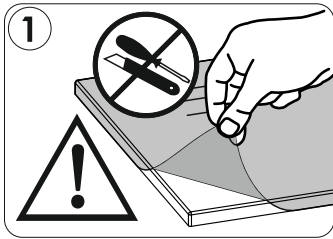
TYP 893

J4	3,5 x 16 mm	x18	Q8		x9
-----------	-------------	-----	-----------	---	----

1 ▶



2 ▶



TYP 890/891/892/893

