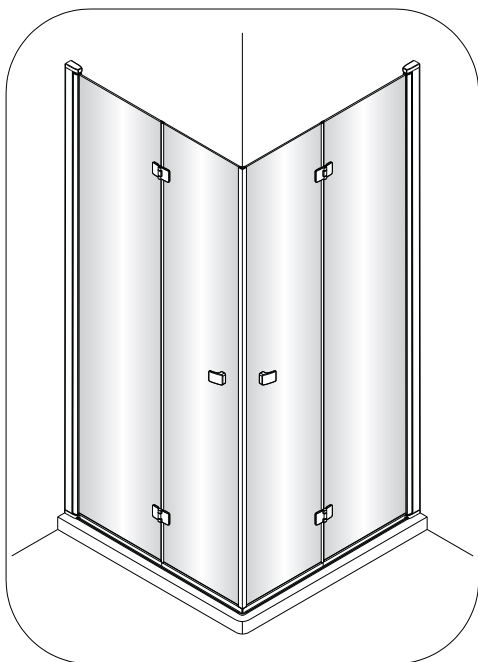


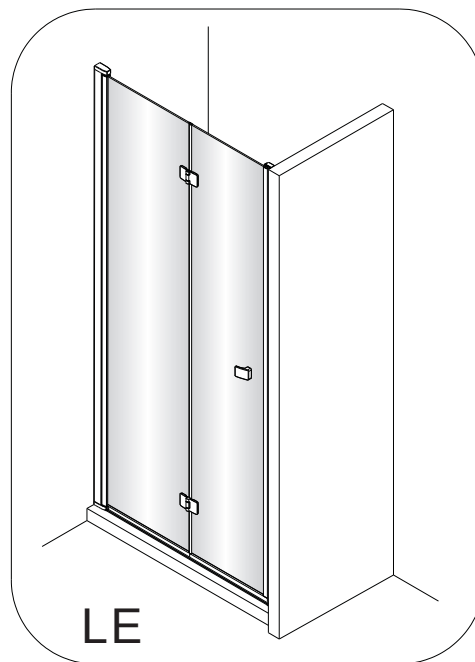
# INSTRUKCJA

**AM4508012M/AM4509012M/AM4510012M**  
**AM4508016M/AM4509016M/AM4510016M**

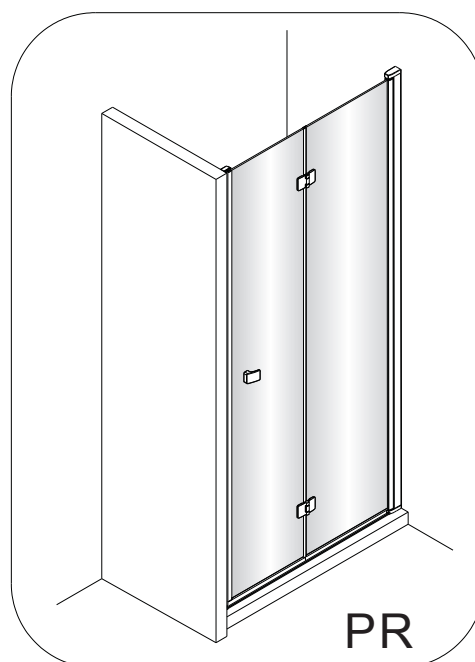
**ZESTAW A (Strona 3-6)**  
**A+A**

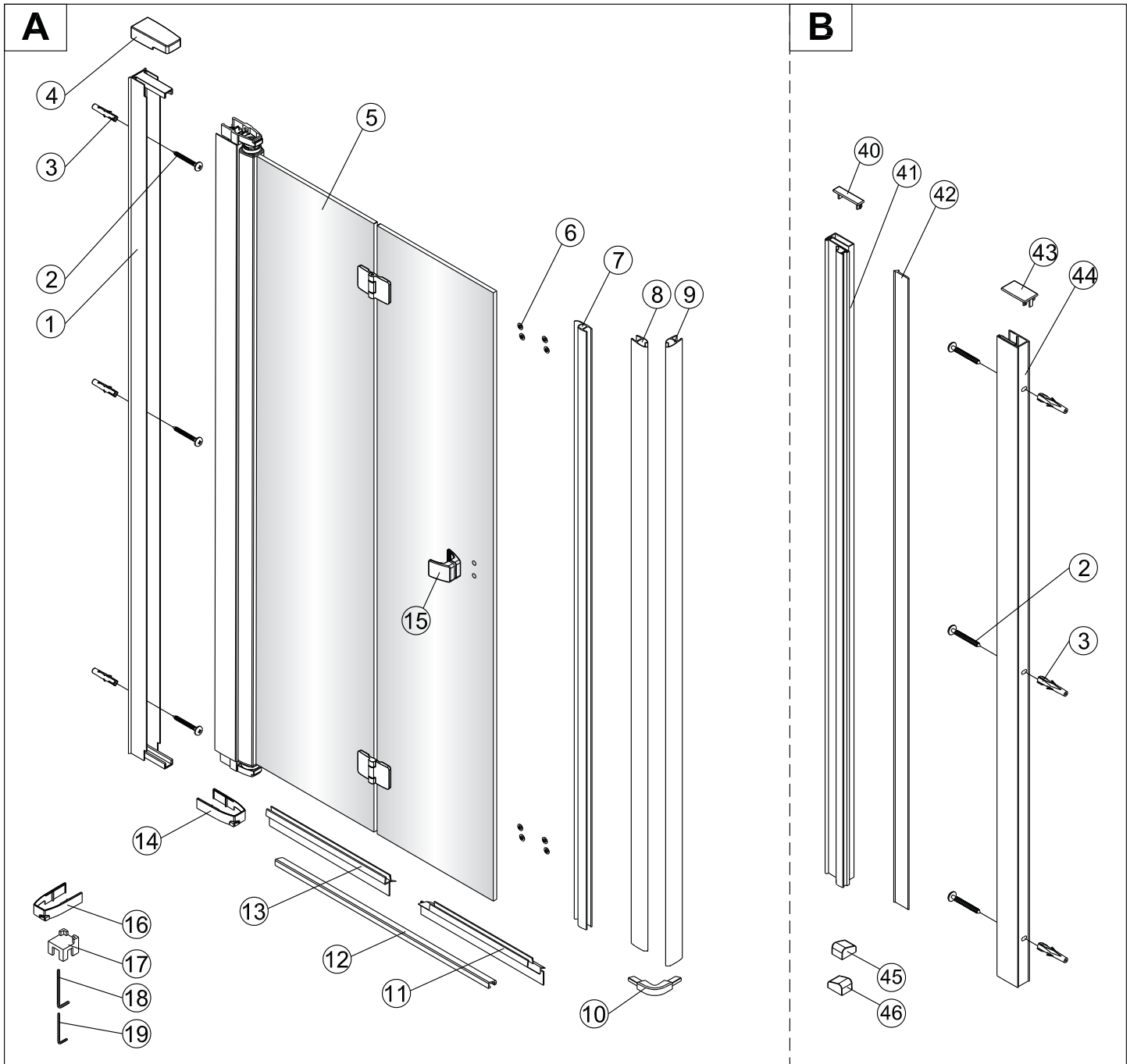


**ZESTAW B (Strona 7-10) A+B**  
**+ AM48195020 lub AM48195060**



**+ AM48195020 lub AM48195060**



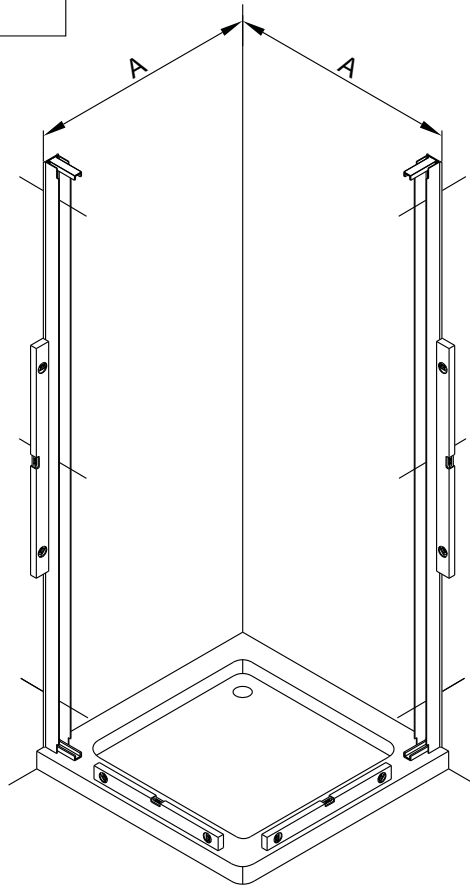
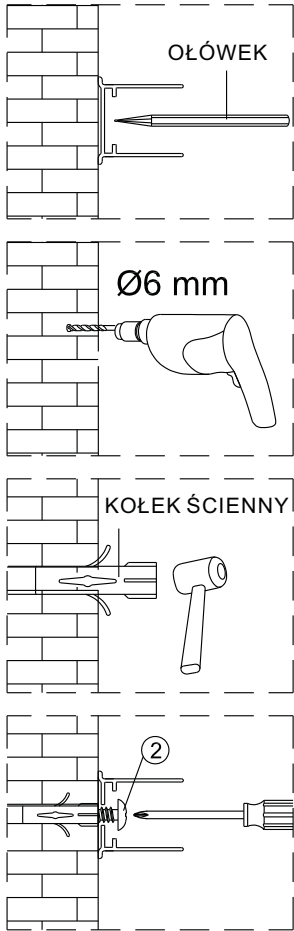


|                     |                       |              |              |              |                     |
|---------------------|-----------------------|--------------|--------------|--------------|---------------------|
| 1<br>1X<br>         | 2<br>3X<br>ST4X40<br> | 3<br>3X<br>  | 4<br>1X<br>  | 5<br>1X<br>  | 6<br>8X<br>         |
| 7<br>1X<br>         | 8<br>1X<br>L=1908<br> | 9<br>1X<br>  | 10<br>1X<br> | 11<br>1X<br> | 12<br>1X<br>        |
| 13<br>1X<br>        | 14<br>1X<br>          | 15<br>1X<br> | 16<br>1X<br> | 17<br>2X<br> | 18<br>1X<br>4mm<br> |
| 19<br>1X<br>3mm<br> | <p>Ø6.0mm</p>         |              |              |              |                     |
|                     | 2<br>3X<br>ST4X40<br> | 3<br>3X<br>  | 40<br>1X<br> | 41<br>1X<br> | 42<br>1X<br>        |
|                     |                       |              | 43<br>1X<br> | 44<br>1X<br> | 45<br>1X<br>        |
|                     |                       |              | 46<br>1X<br> |              |                     |

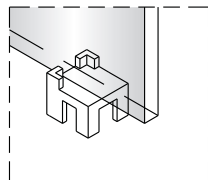
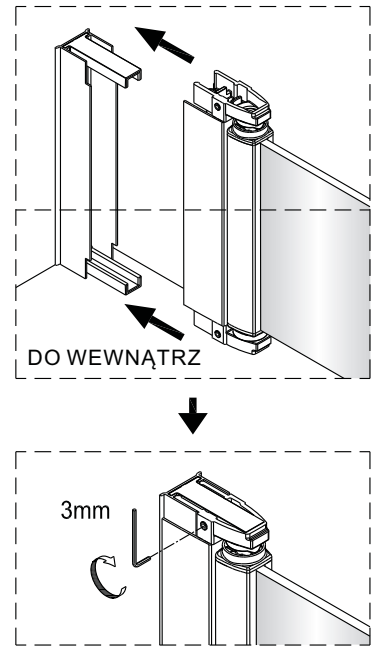
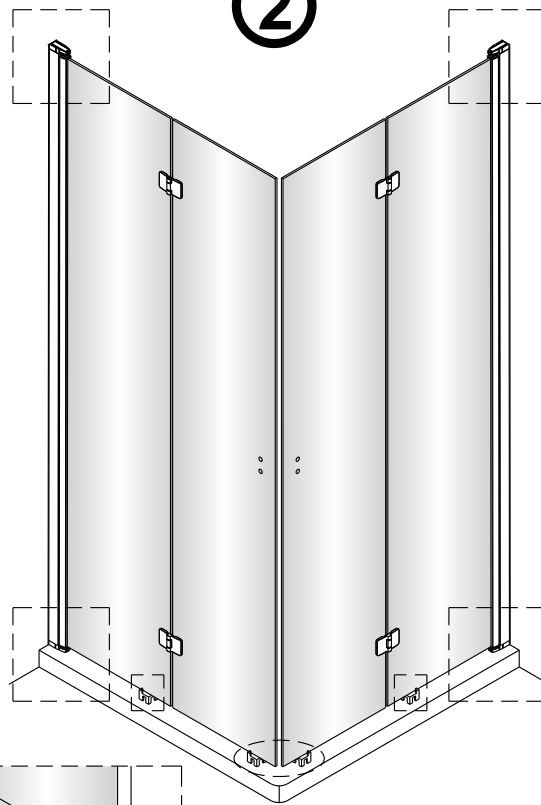
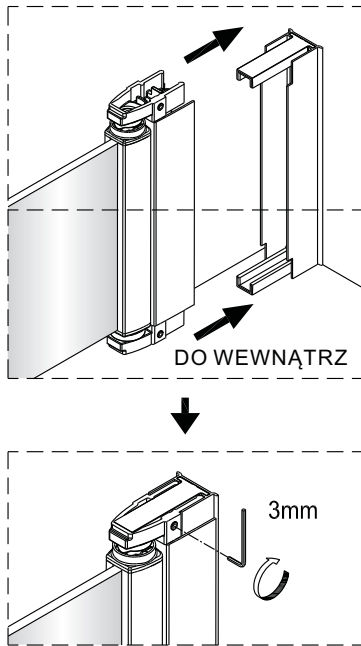
# ZESTAW A

|      | A(mm)   |
|------|---------|
| 800  | 775~795 |
| 900  | 875~895 |
| 1000 | 975~995 |

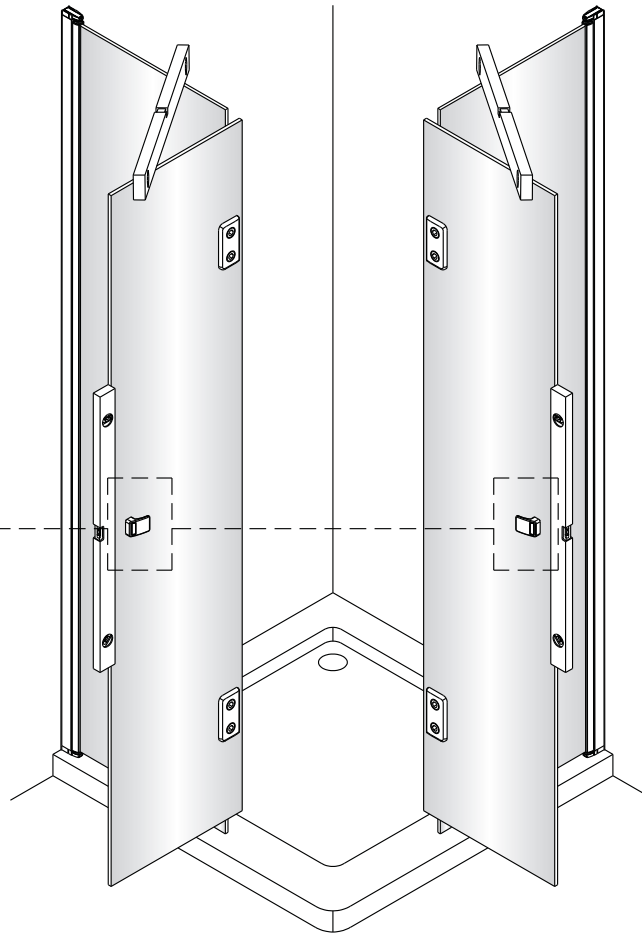
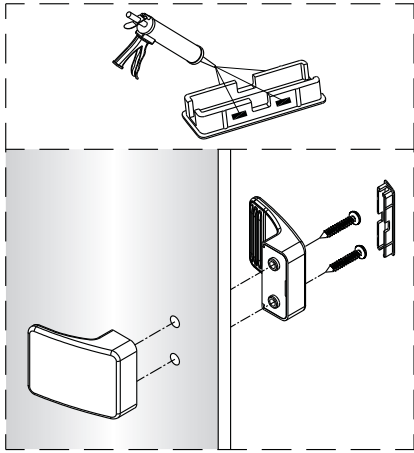
①



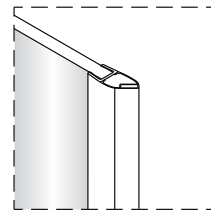
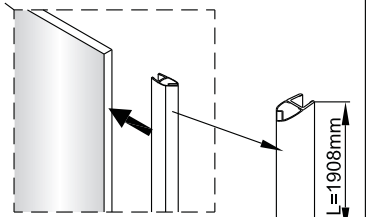
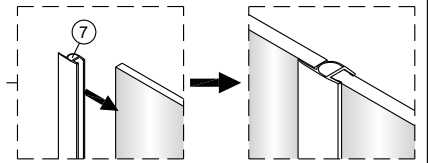
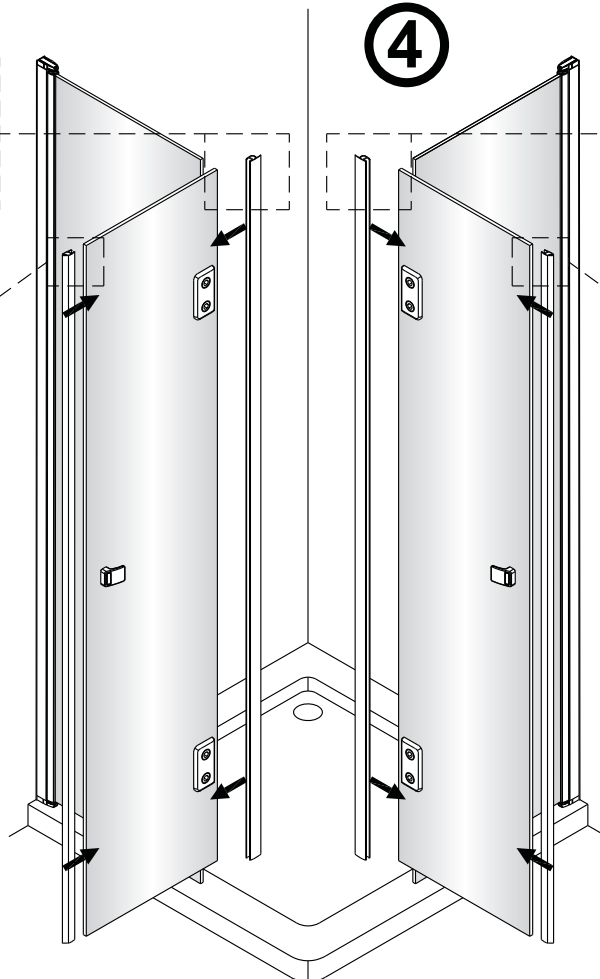
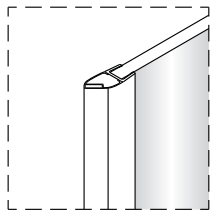
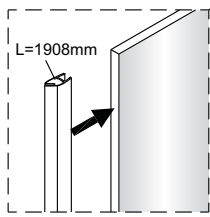
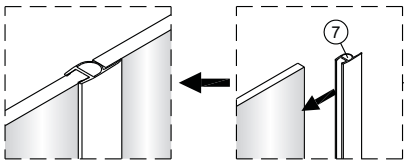
②

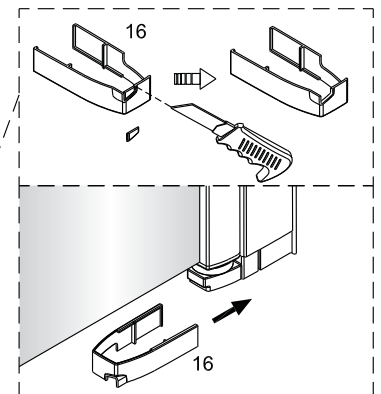
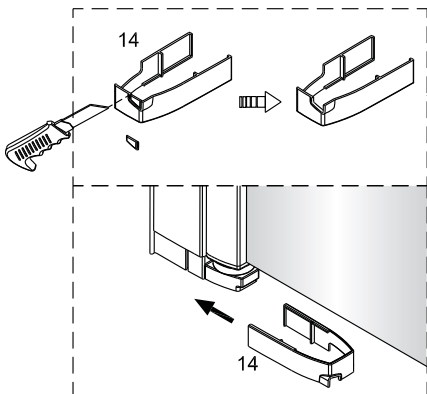
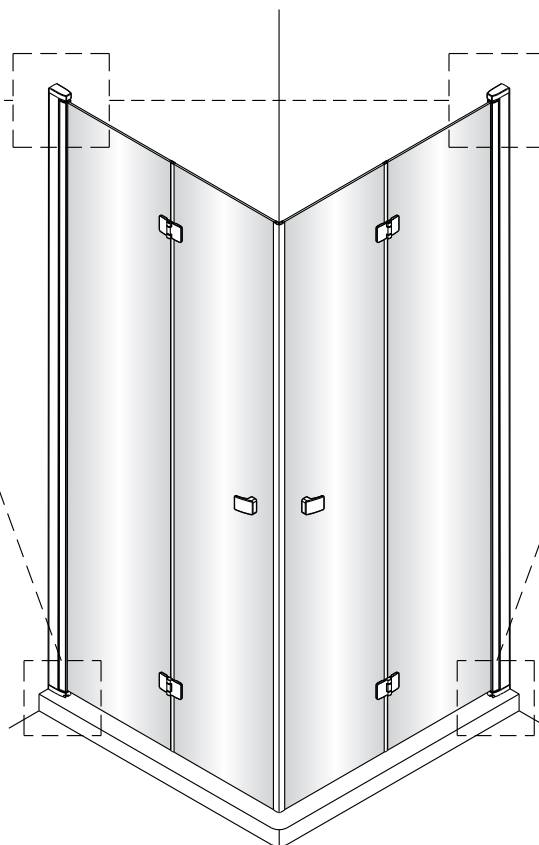
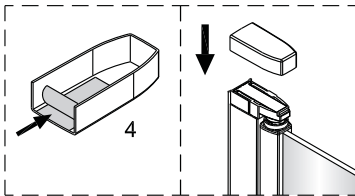
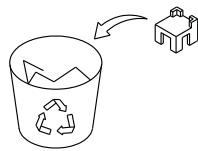
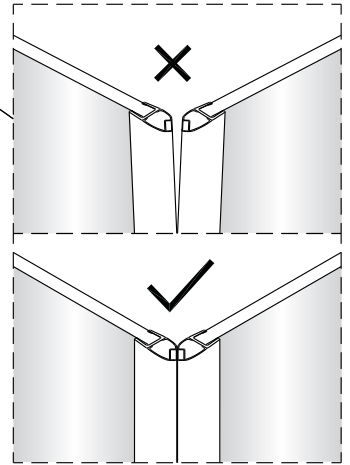
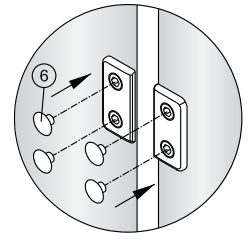
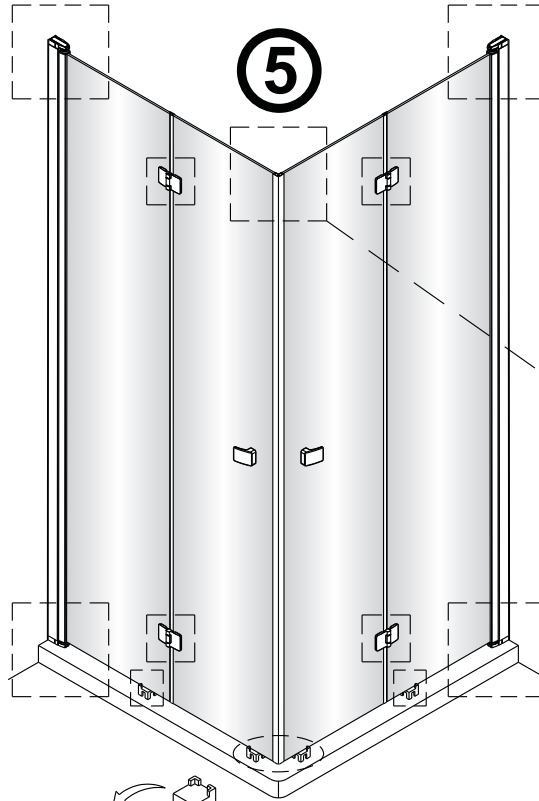
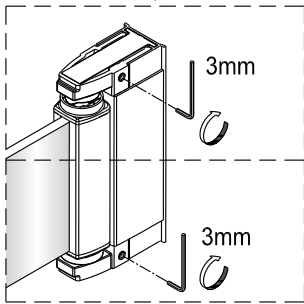
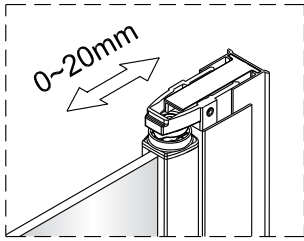
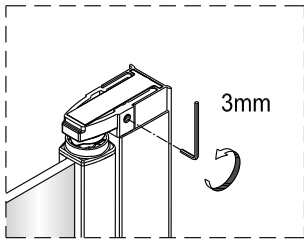


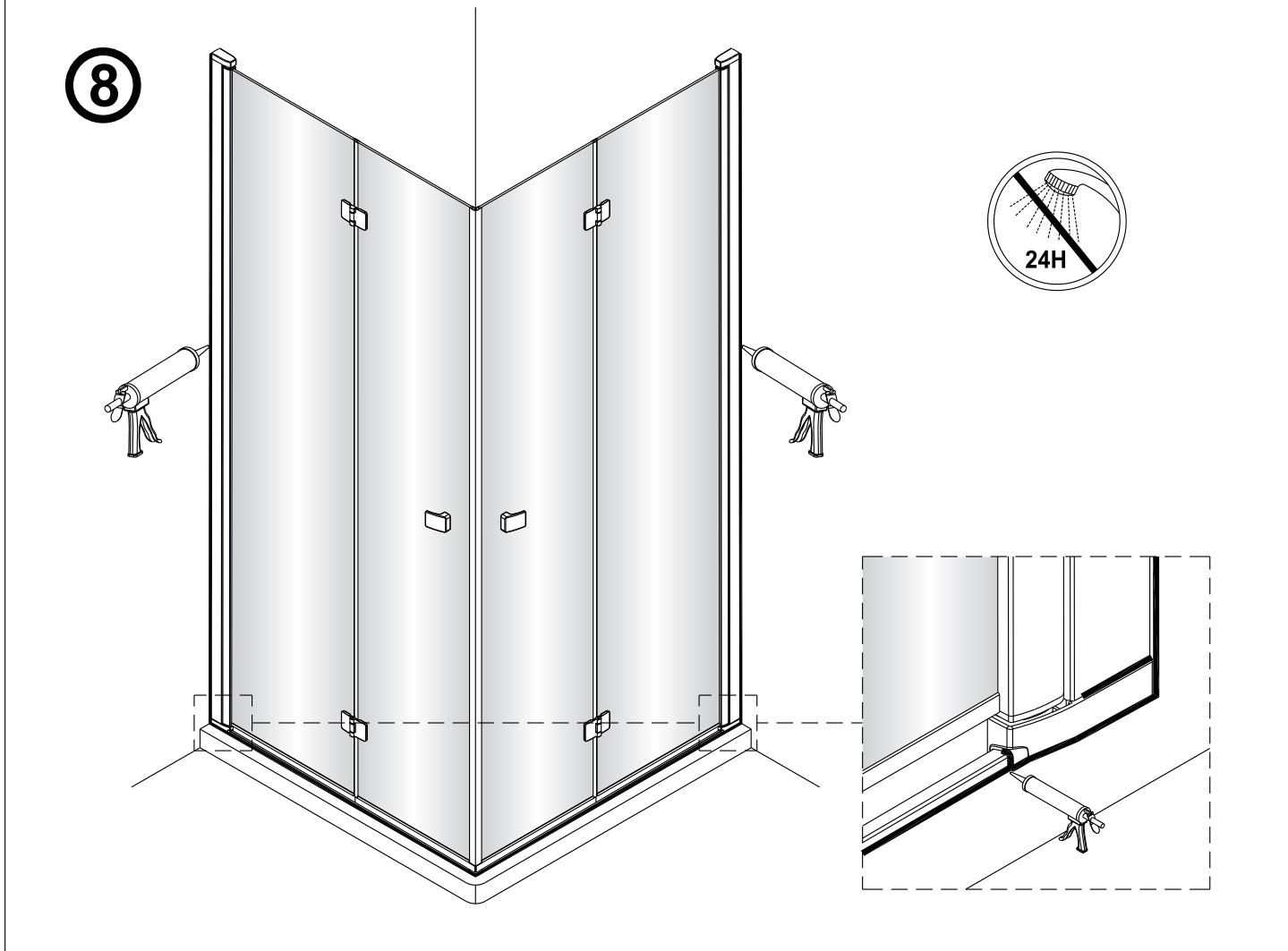
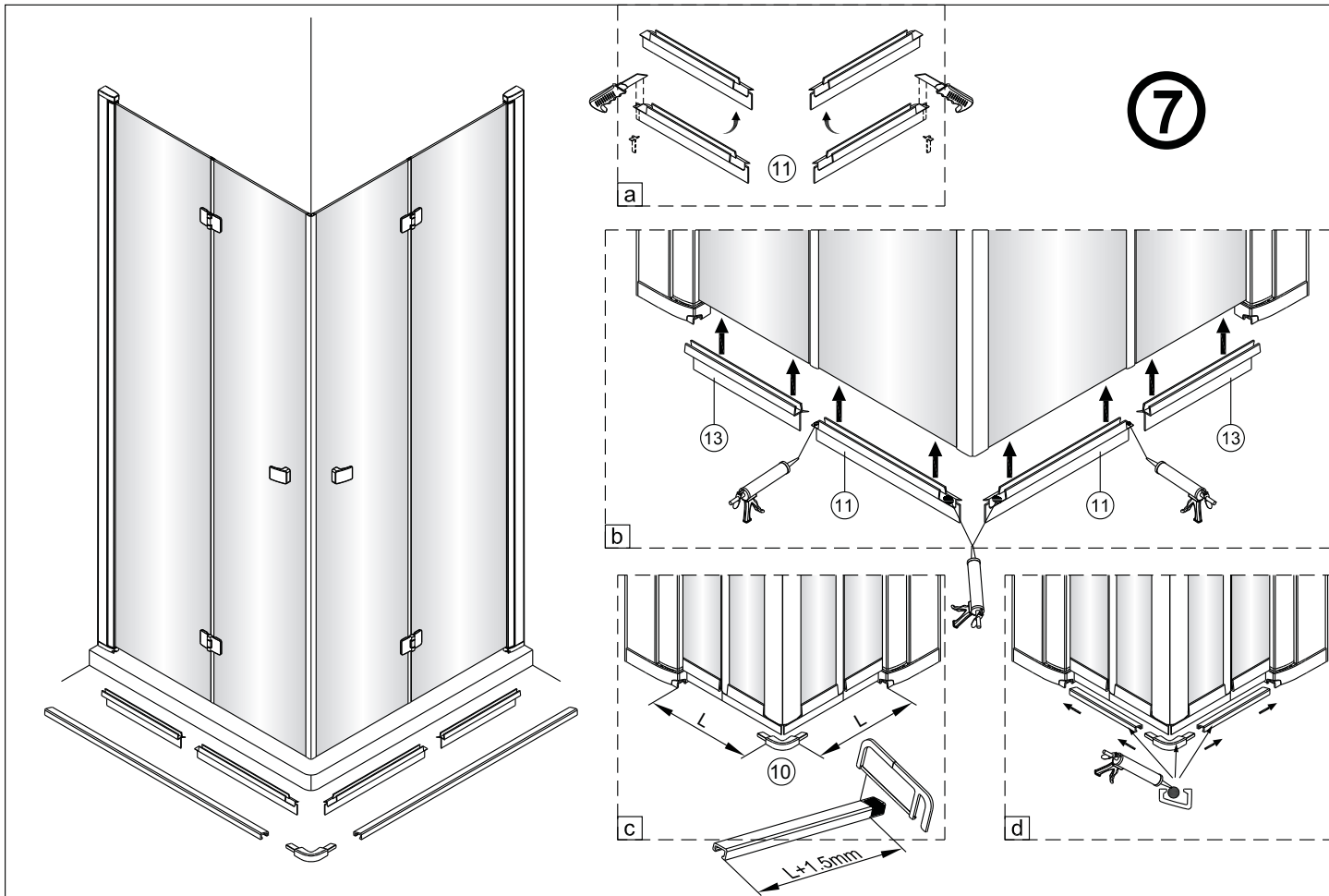
3

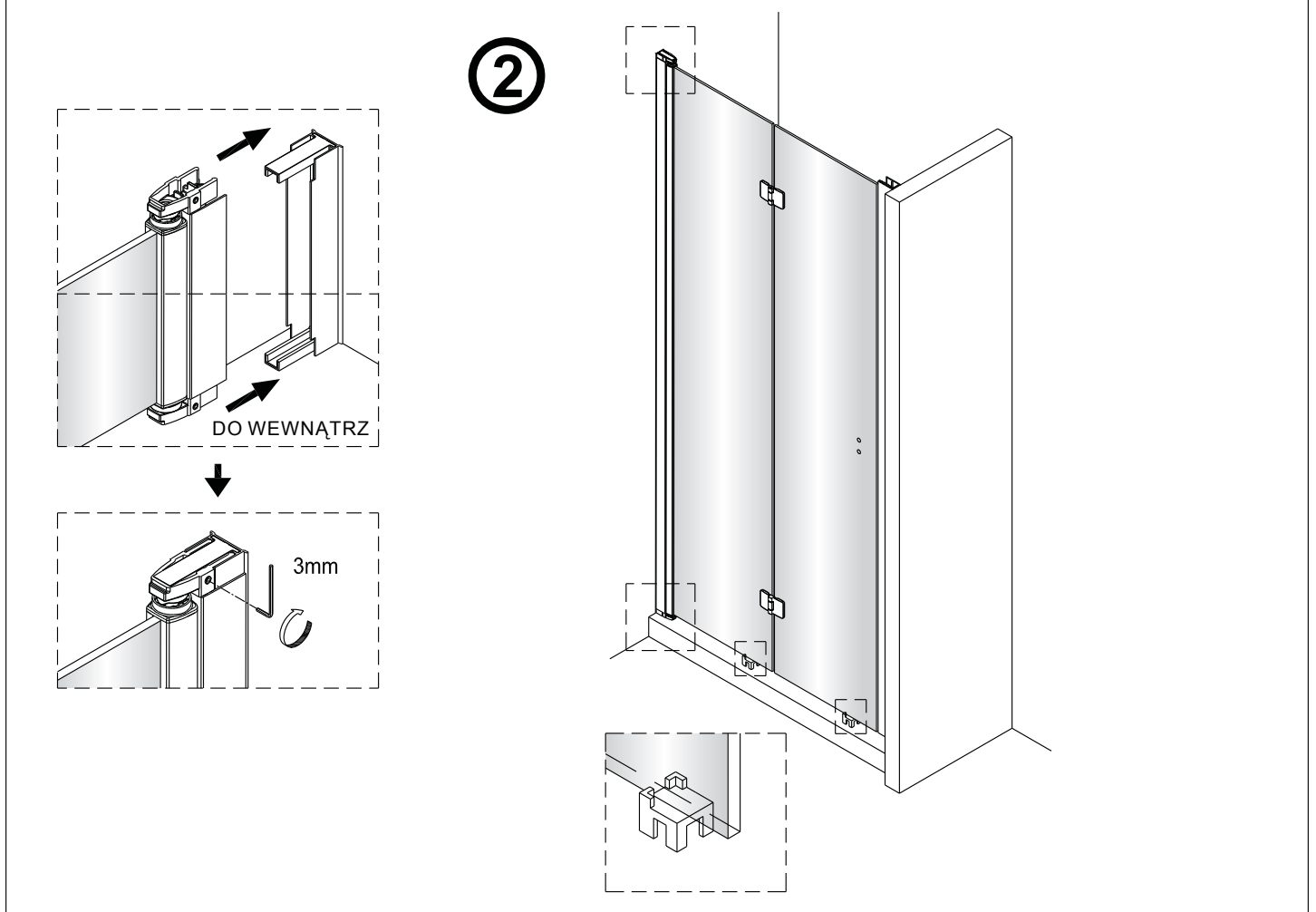
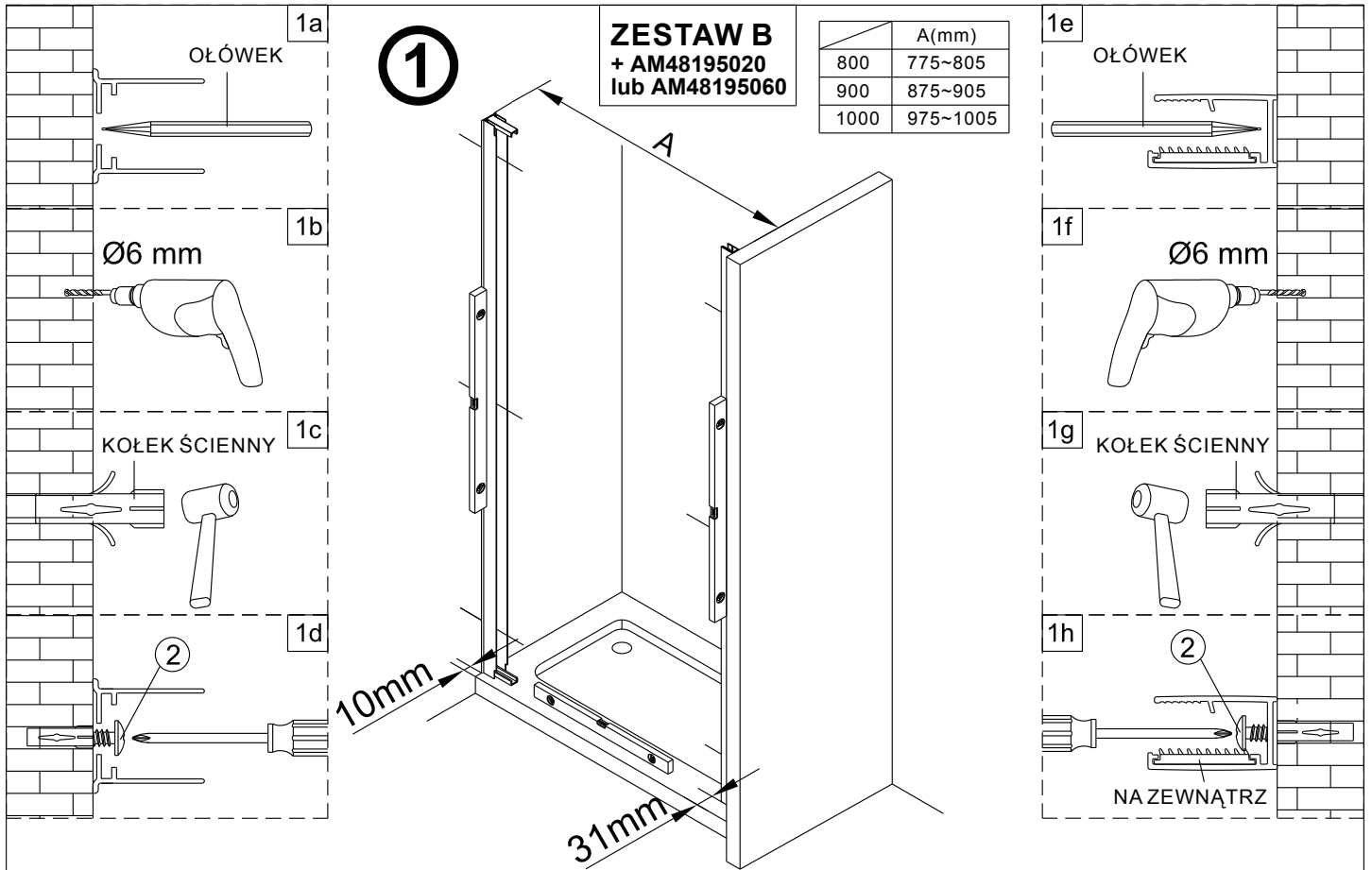


4

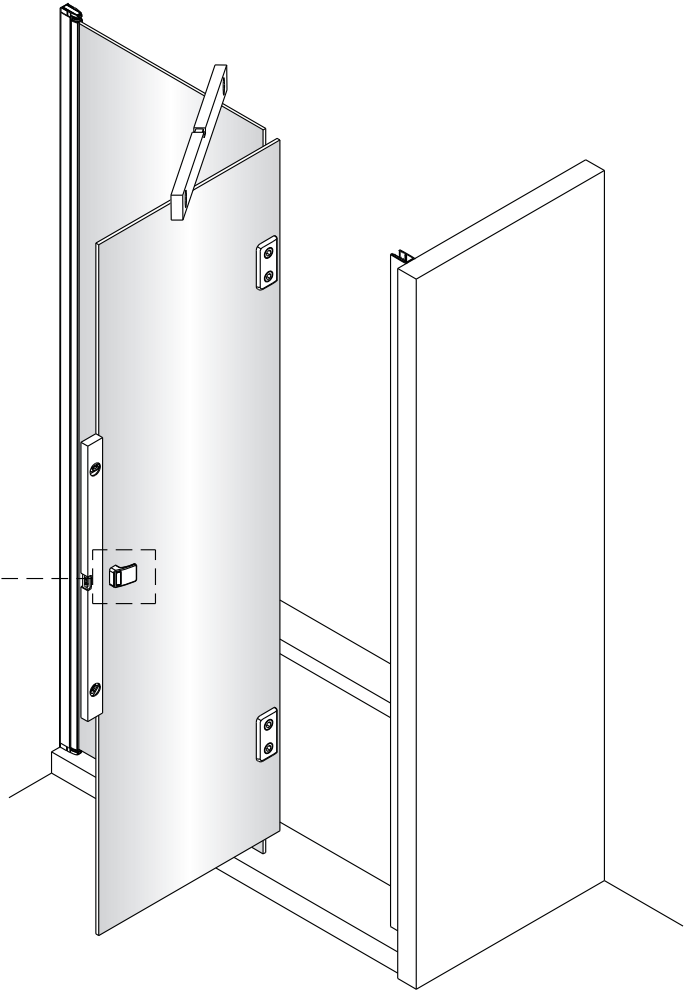
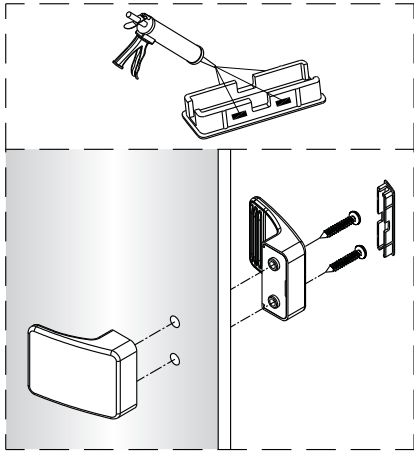








3



4

