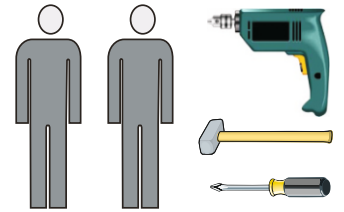
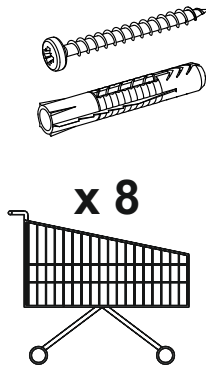
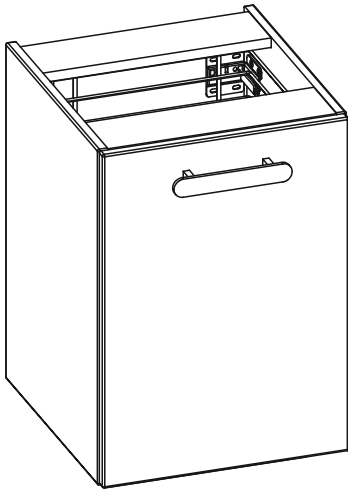


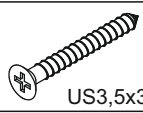
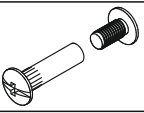

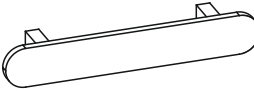
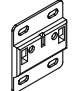
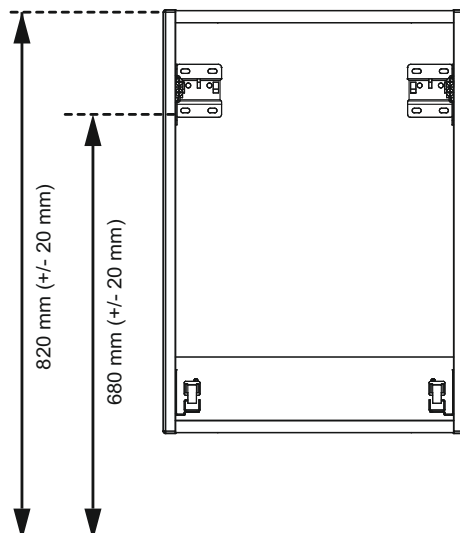


40 1D CARGO

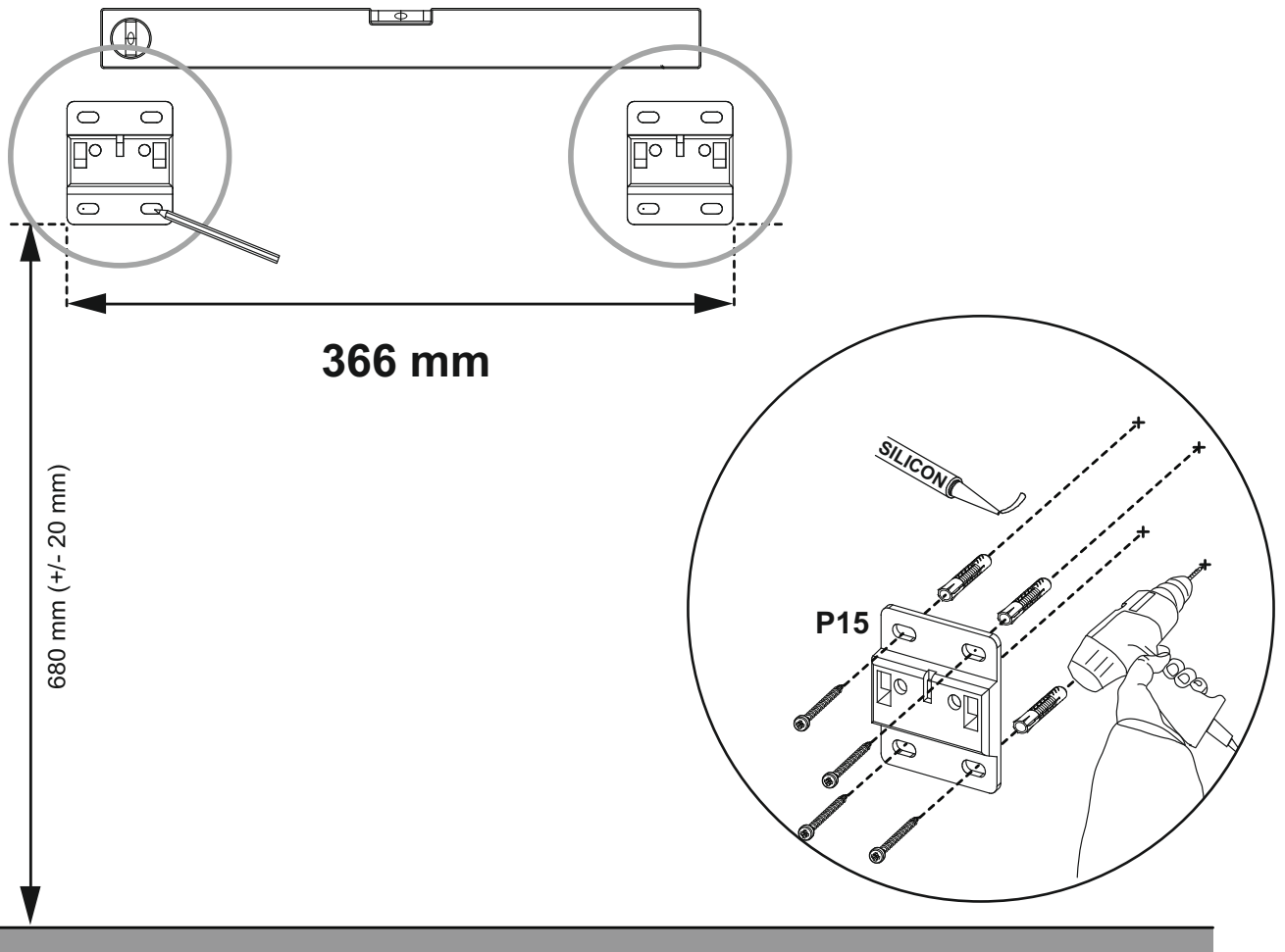


P0  $\varnothing 5$ x 12	K1  x 2	D6  US3,5x30 x 4	X  x 1
P1  $\varnothing 8$ x 8	H  x 1		P15  x 2

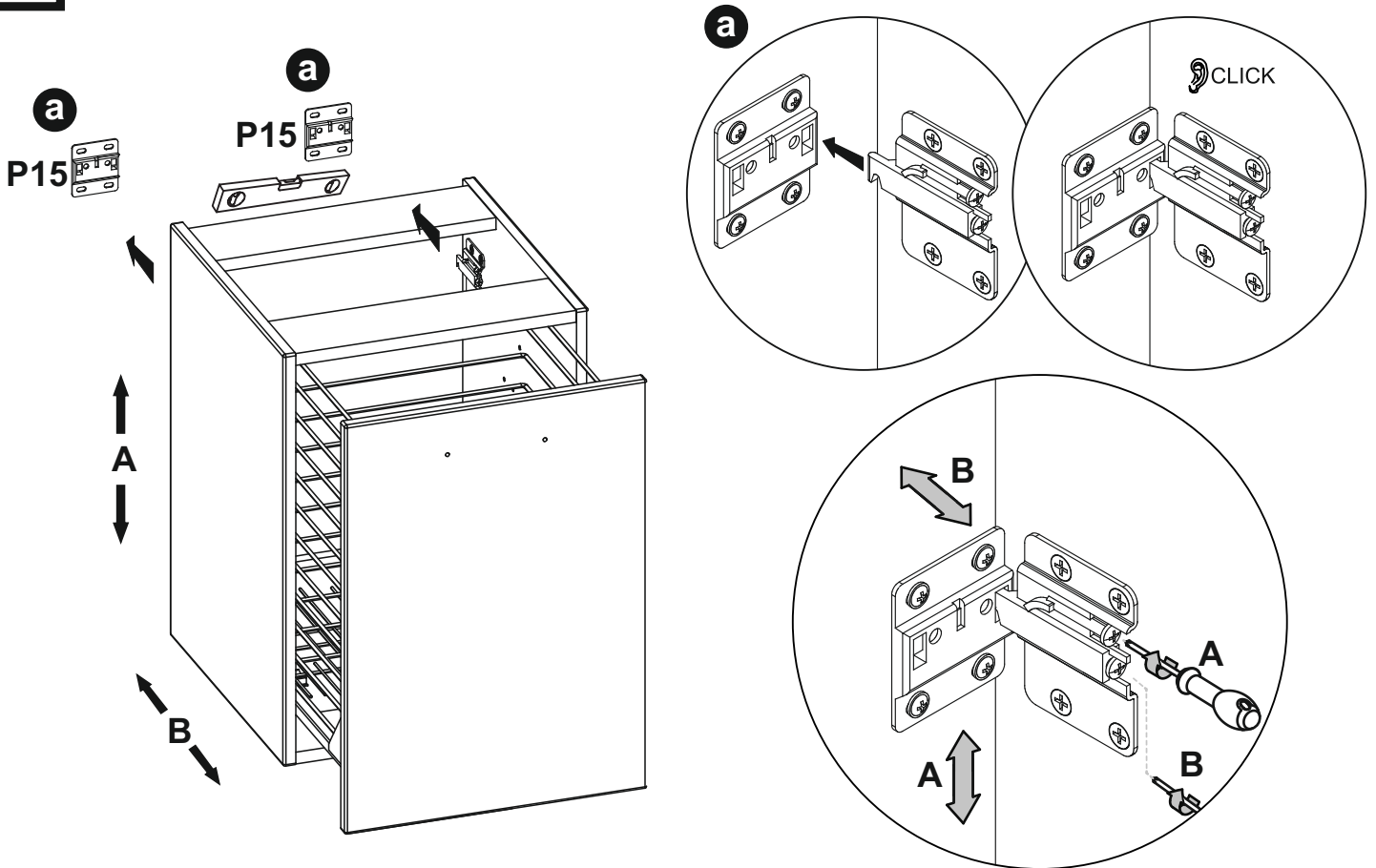
01.



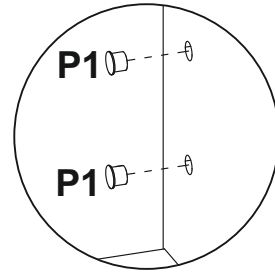
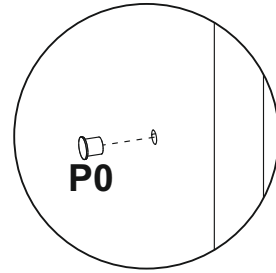
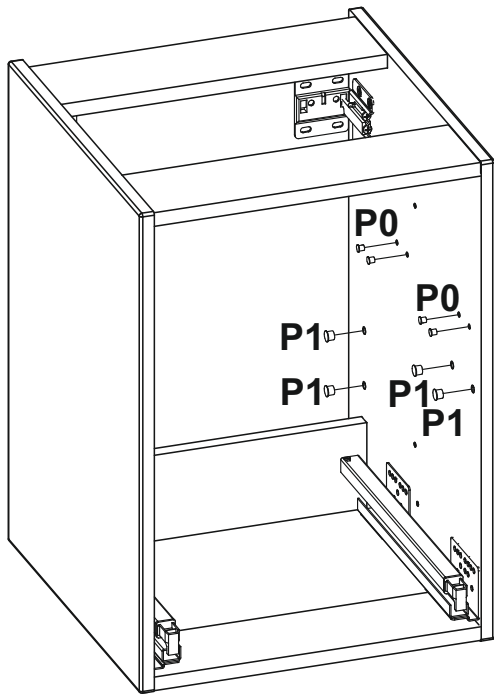
02.



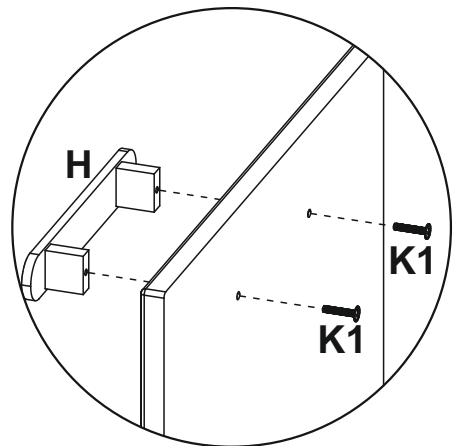
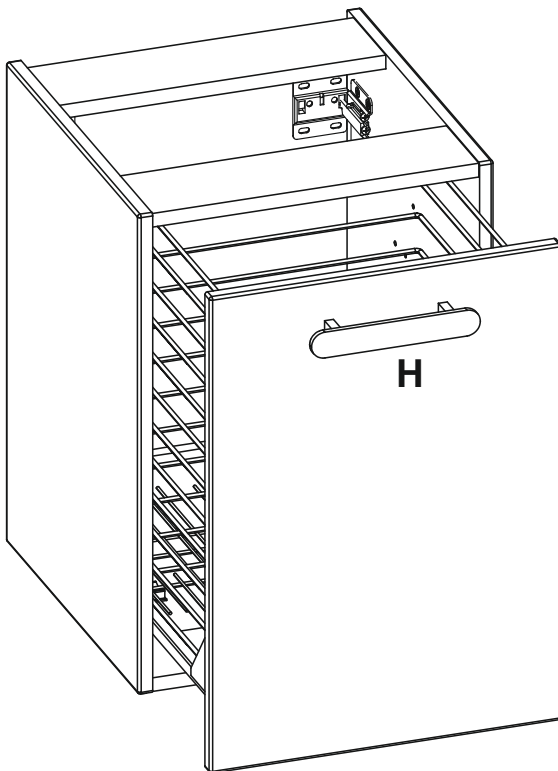
03.



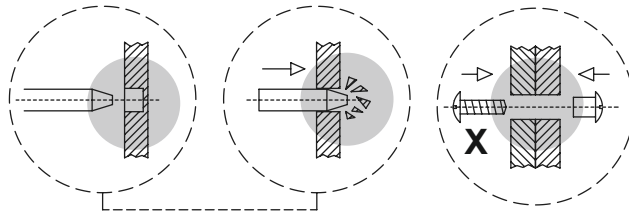
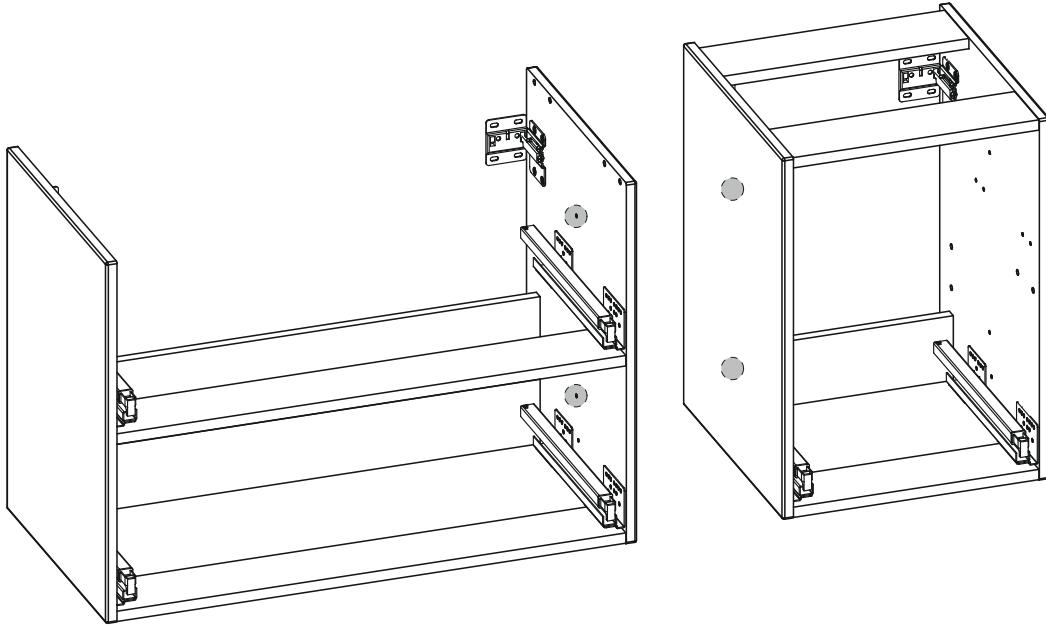
04.



05.



06.



07.

