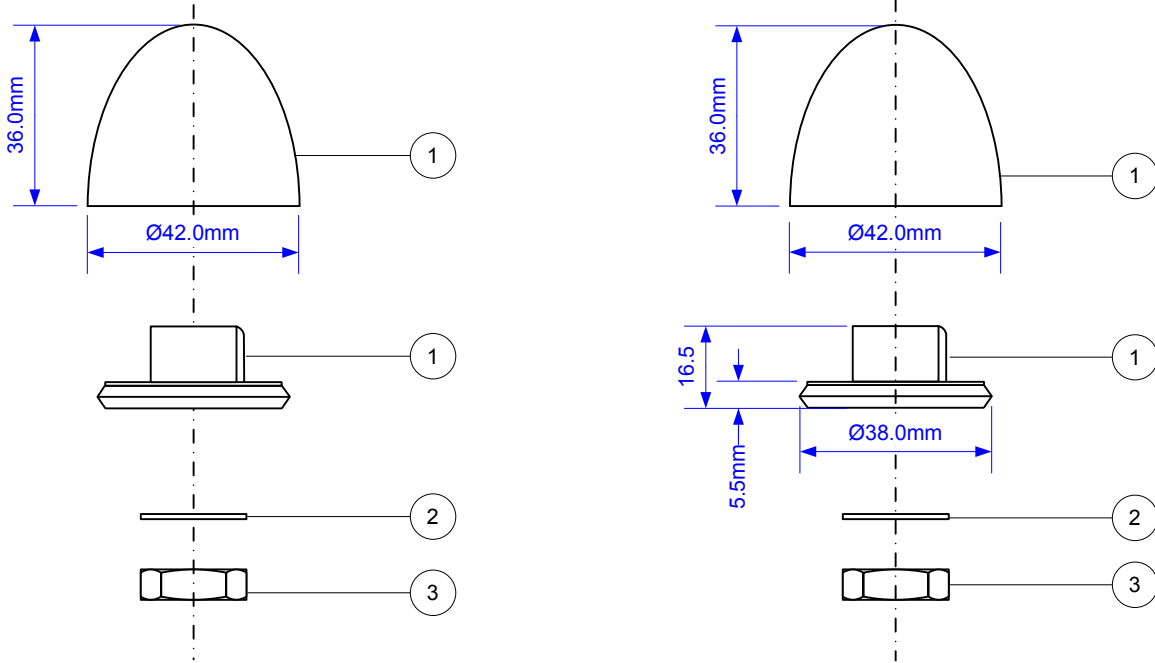


Code:

# FP45R-CAPKIT



Part No.	Code
1	FP45R-WASHER+CAP
2	P-M12-HEXNUT-GAL
3	P-M12-WASHER-GAL

Drawing verified  
correct as of:

22/05/2013  
SS

DRAWN BY

SS

REVISED

14/09/2012

SCALE

1: 1.5

FILENAME

FP45R-CAPKIT.VSD

DATE

14/09/2012