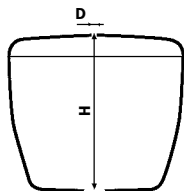


I - PREPARATION OF THE MECHANISM

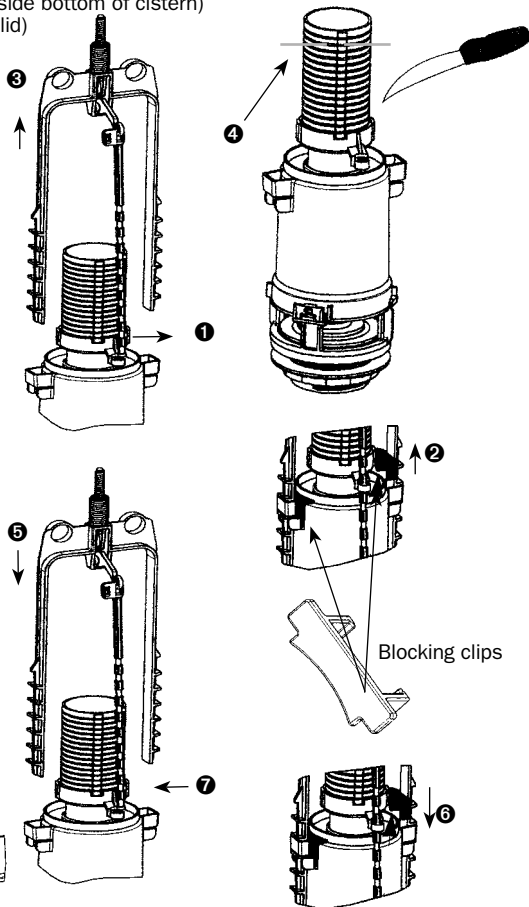


Measure the cistern:

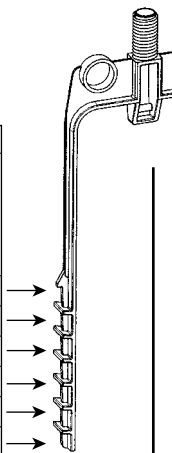
- H (from top of lid to inside bottom of cistern)
- D (diameter of hole in lid)

⚠ Check the positioning of the stirrup if the stirrup (k) is positioned correctly with reference to the table below, move on to step 8; otherwise, go through all the following steps in order:

- 1 Unclip the lift rod (c)
- 2 Remove the 2 grey blocking clips (d)
- 3 Remove the stirrup (k)
- 4 If necessary, cut the overflow (j) as shown in the table
- 5 Set the stirrup (k) in the suitable notch - see table
- 6 Clip the 2 grey blocking clips (d) back in place
- 7 Clip on the lift rod (c)
- 8 Unscrew the plug nut (f)



	Height of cistern H		
	Diameter D of hole in lid from 16 to 36 mm & 43 to 50 mm	Diameter D of hole in lid from 37 to 42 mm	
Stirrup adjusting notch	1*	307 to 325	325 to 343
	2*	326 to 340	344 to 358
	3	341 to 355	359 to 373
	4	356 to 370	374 to 388
	5	371 to 385	389 to 403
	6	386 to 400	404 to 418



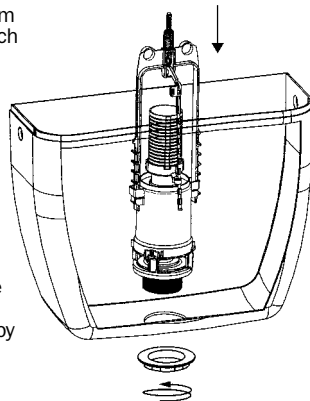
Stirrup notch	Overflow
1	Cut between e and f
2	Cut between b and c

II - INSTALLATION

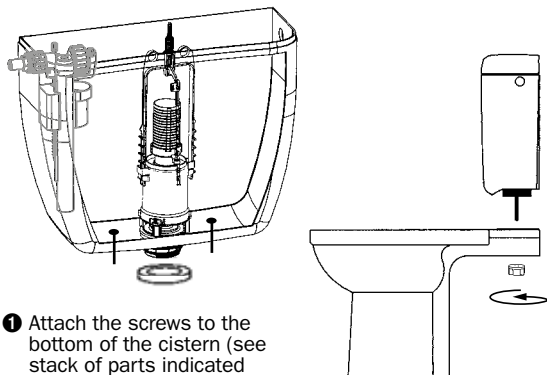
Position the mechanism in the cistern and attach it with the nut (f).

Manually screw the flush valve nut (f) until it is in contact with the ceramic. If necessary give an extra quarter turn (maximum) with the appropriate spanner.

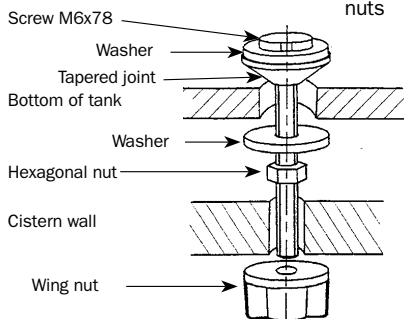
NB : Excessive tightening can damage the mechanism and would not be covered by the guarantee.



III - ASSEMBLY OF CISTERN TANK



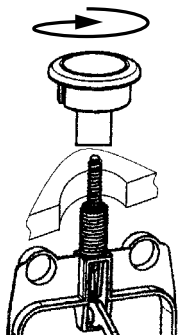
- 1 Attach the screws to the bottom of the cistern (see stack of parts indicated below)
- 2 Position the foam seal on the nut (f)
- 3 Position the cistern on the toilet bowl and attach it with the wing nuts



V - INSTALLING THE BUTTON

- 1 Fit the lid
- 2 If the lid hole (D) is < 37 mm or > 42, remove the rose (b)
- 3 Position the button on the lid and screw down (without pushing the central part) until it locks.

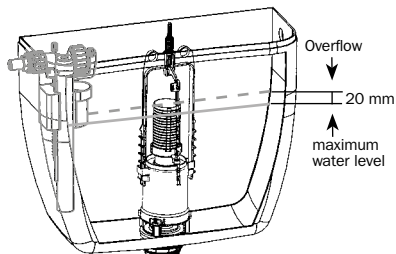
N.B. :
For mechanism Switch
(Ref. 22A)
Push once to flush.
Push again to interrupt.



IV - ADJUSTMENT OF WATER LEVEL

First connect your float valve to the water system, open the stop valve and adjust the Full flush level using the float valve (see on back).

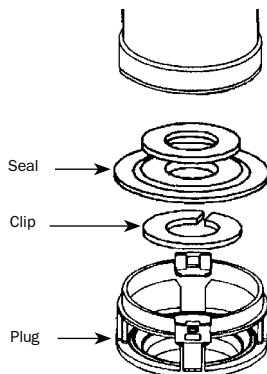
NB: the maximum water level should be 20 mm below the overflow (j).



VI - MAINTENANCE

Changing the valve gasket

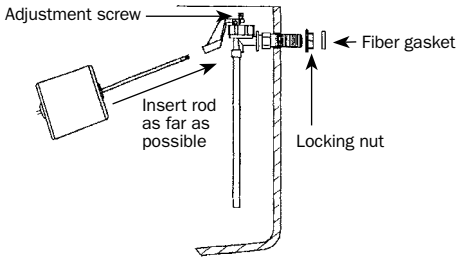
- 1 After having opened the cistern, turn the mechanism 90° to separate it from its strainer
- 2 Remove the clip of fixation
- 3 Change the valve gasket
- 4 Reposition the mechanism, locking it into the strainer
- 5 Close the cistern again.



INSTALLING THE FLOAT VALVE

ROBECO 06 and STANDARD 15EL

- ❶ Position valve
- ❷ Fasten with nut
- ❸ Connect to water supply
- ❹ Adjust water level with the adjustment screw (15 EL) or by bending the rod (06)



Manually screw the backnut until it is in contact with the ceramic. If necessary give an extra quarter turn (maximum). N.B.: Excessive tightening can damage the mechanism and would not be covered by the guarantee.

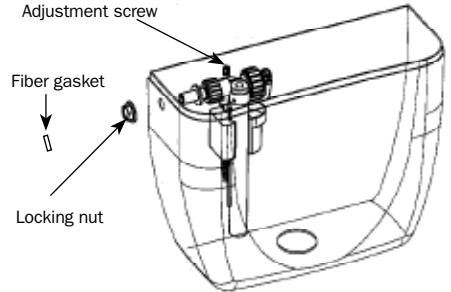
Ensure tightness of connection to cistern with filter gasket.

WARNINGS:

- 1 - Do not overtight in any case.
- 2 - Do not use any sealing paste and/or compound in any case

COMPACT 95L

- ❶ Position valve
- ❷ Fasten with nut
- ❸ Connect to water supply
- ❹ Adjust water level with the adjustment screw

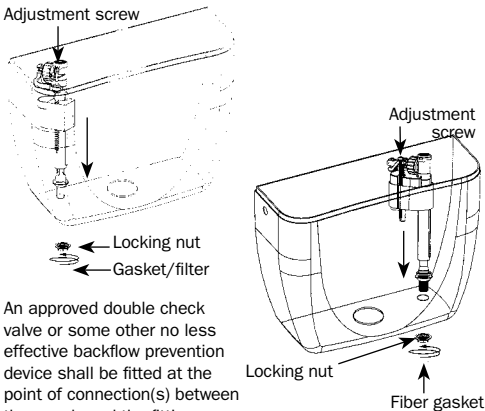


3 - Do not use connector handling the internal part of the inlet valve.

SIAMP will be not responsible in case these warnings are not respected.

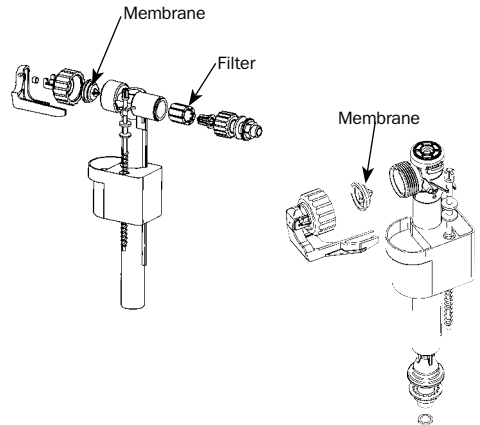
N.B.: In the tank, do not use any anti limescale products or chlorine based products which could damage the mechanism and would not be covered by the guarantee. For the maintenance of your unit, we recommend you to use the MULTICARE WC overall maintenance system.

COMPACT 99B and HANDY 93B



An approved double check valve or some other no less effective backflow prevention device shall be fitted at the point of connection(s) between the supply and the fitting.

MAINTENANCE (95L & 99B)



SIAMP

Siamp UK Ltd - Unit C2 - Meadowbank Business Park - Tweedale Way
 Hollinwood - Oldham - Greater Manchester - OL9 8EH
 Telephone : 0161 681 2120 - Fax : 0161 681 2130 - aftersales@siamp.co.uk