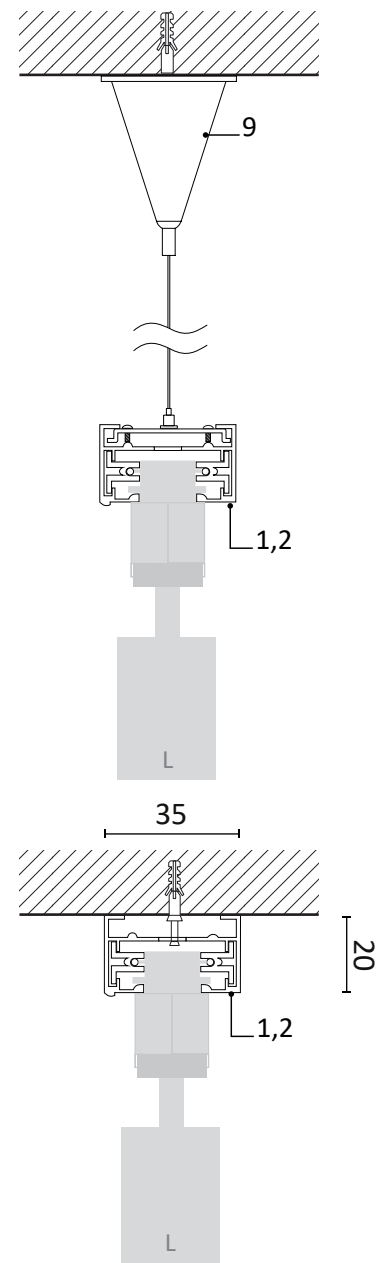


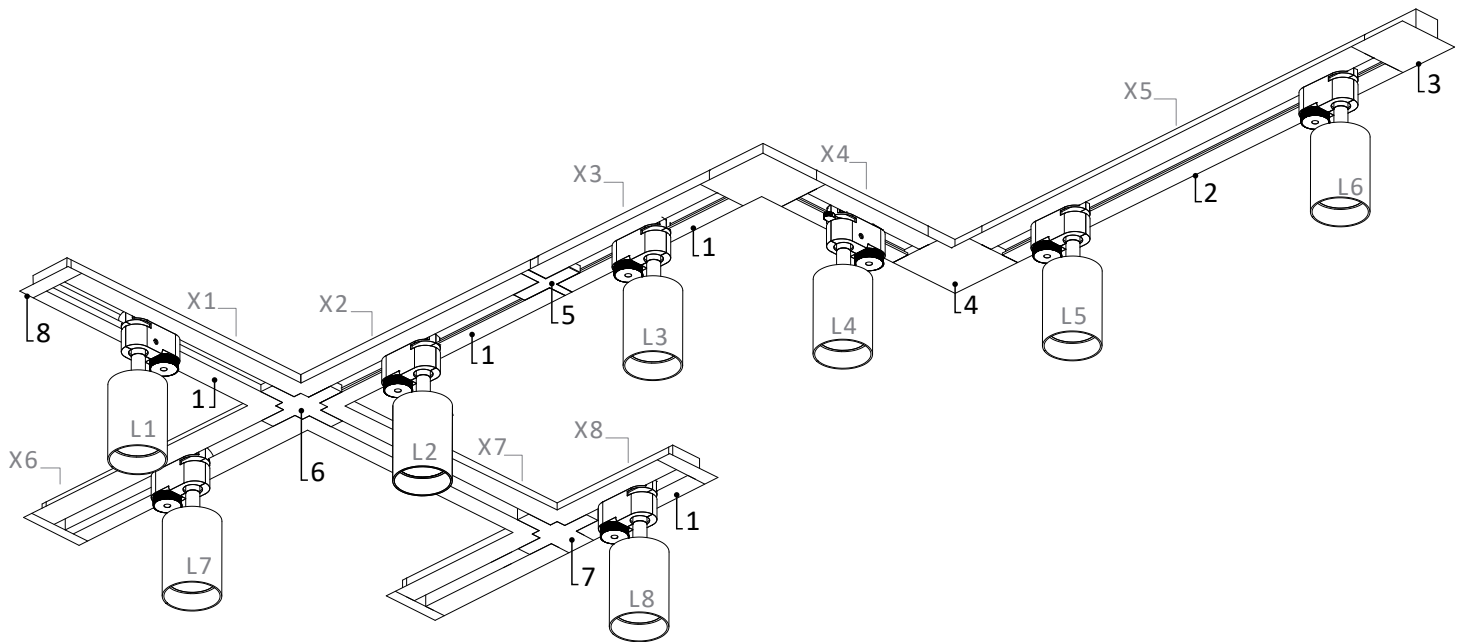
PROFILE TRACK LIGHTS SYSTEM

ELEMENTS	BLACK	WHITE
1 PROFILE TRACK 1 METRE	9448	9450
2 PROFILE TRACK 2 METRES	9452	9451
3 PROFILE POWER END CAP	9463	9462
4 PROFILE L-CONNECTOR	9455	9456
5 PROFILE STRAIGHT CONNECTOR	9453	9454
6 PROFILE X-CONNECTOR	9188	9190
7 PROFILE T-CONNECTOR	9186	9187
8 PROFILE DEAD END CAP	9458	9457
9 PROFILE SUSPENSION KIT	9460	9461
10 PROFILE POWER SUPPLY KIT	9238	9237



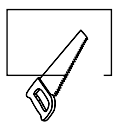
$$X_1 + X_2 + X_3 + X_4 + \dots = \text{MAX } 20\text{m}$$

$$L_1 + L_2 + L_3 + L_4 + \dots = \text{MAX } 1500\text{W}$$

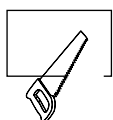


PROFILE RECESSED TRACK LIGHTS SYSTEM

ELEMENTS	BLACK	WHITE
1 PROFILE RECESSED TRACK 1 METRE	9013	9012
2 PROFILE RECESSED TRACK 2 METRES	9015	9014
3 PROFILE RECESSED POWER END CAP	8973	8972
4 PROFILE RECESSED L-CONNECTOR	8971	8970
5 PROFILE RECESSED STRAIGHT CONNECTOR	8968	8967
6 PROFILE RECESSED X-CONNECTOR	8837	8836
7 PROFILE RECESSED T-CONNECTOR	8835	8834
8 PROFILE RECESSED DEAD END CAP	8975	8974
9 PROFILE RECESSED FIXING SET	8805 galvanized	

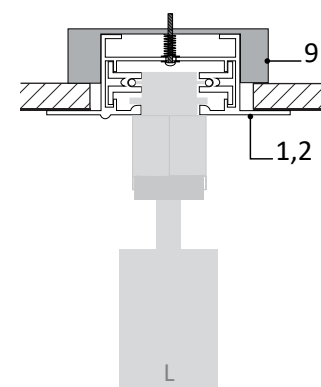


CEILING
cut out 35 mm x X

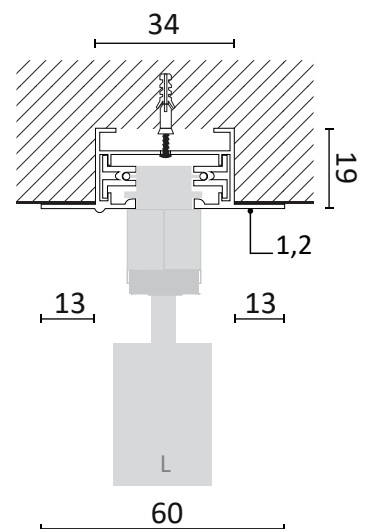


CEILING PANEL
cut out 45 mm x X

CEILING PANEL



CEILING



$$X_1 + X_2 + X_3 + X_4 + \dots = \text{MAX } 20\text{m}$$

$$L_1 + L_2 + L_3 + L_4 + \dots = \text{MAX } 1500\text{W}$$